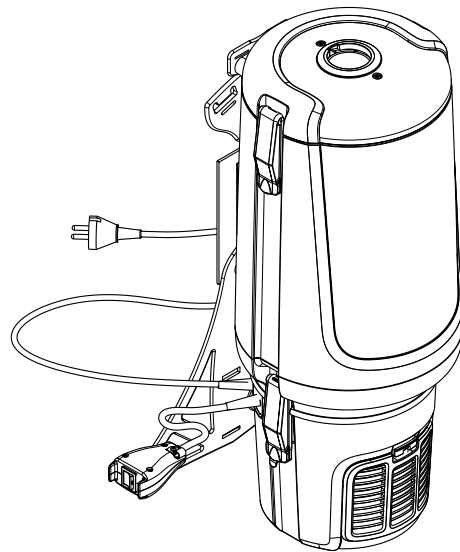


08-02	Nilfisk GD 10 Back	<b>823 0101 040</b>		
<b>TABLE OF CONTENTS SERVICE KIT / SPARE PARTS</b>				<b>1</b>



<u>DESCRIPTION</u>	<u>PLAN</u>
Motor and motor parts	2
Electrical parts	4
Container parts	6
Straps	8
Filters	10
Nozzles 32 mm, 1 1/4 Inch	12
Tubes, hose 32 mm, 1 1/4 Inch	14
Wiring diagram	15

### WHEN ORDERING PARTS

- \* Use the digit numbers from the "Part No." columns in this spare parts list.
- \* Specify the model and serial number of the machine.
- \* Use the space below to record the model and serial number for future reference.

Model \_\_\_\_\_ Serial no. \_\_\_\_\_

Nilfisk-Advance America Inc.  
 300 Technology Drive  
 Malvern, PA 19355  
 Tel.: +1 610 647 6420  
 Fax: +1 610 647 6427  
[www.nilfiskcfm.com](http://www.nilfiskcfm.com)

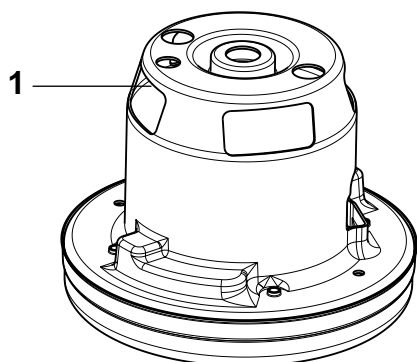
823 0101 040

Nilfisk GD 10 Back

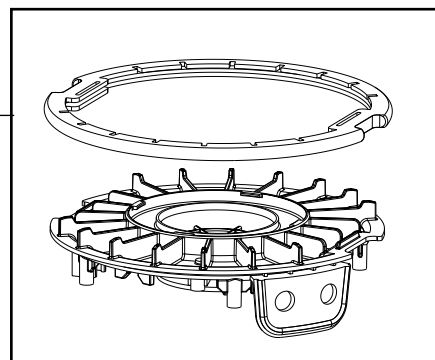
08-02

2

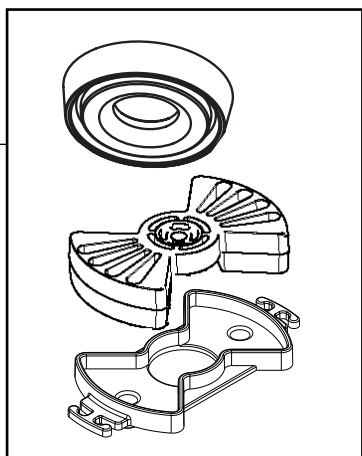
MOTOR AND MOTOR PARTS



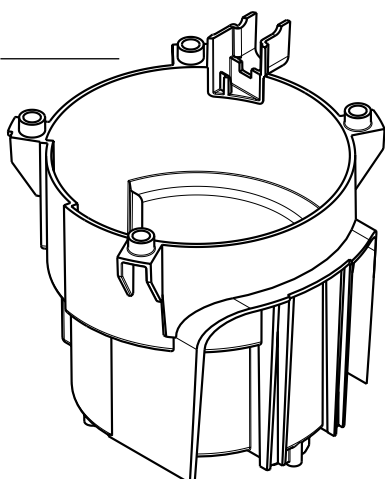
4



2

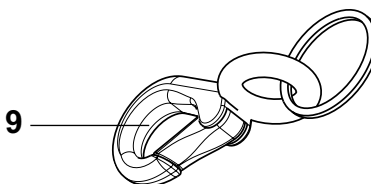
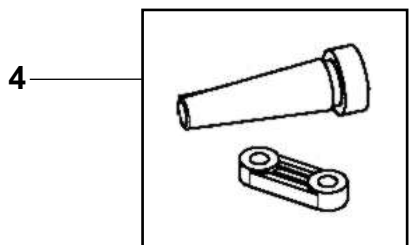
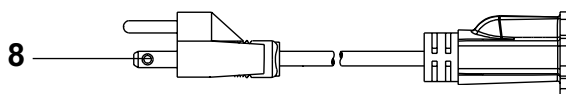
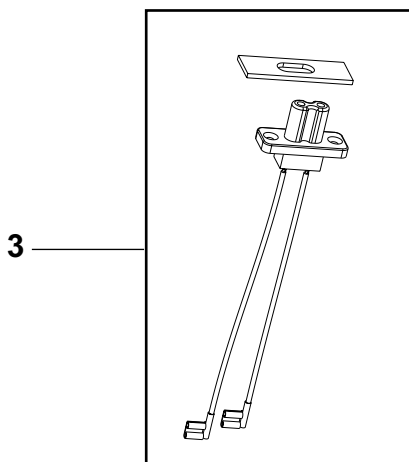
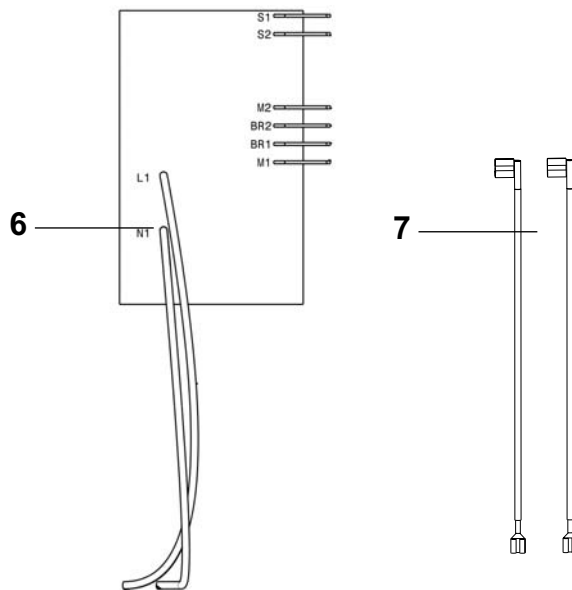
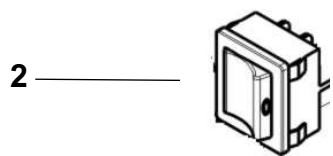
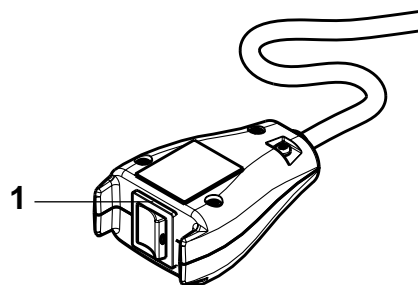


3



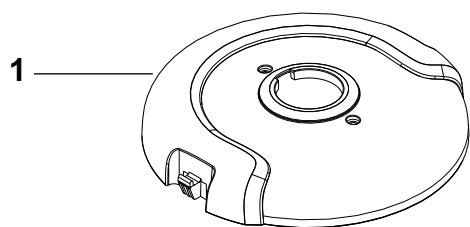
<b>08-02</b>	<b>Nilfisk GD 10 Back</b>	<b>823 0101 040</b>		
	<b>MOTOR AND MOTOR PARTS</b>			<b>3</b>

<b>Item</b>	<b>Part No.</b>	<b>Qty.</b>	<b>Description</b>	<b>Note</b>
1	147 1109 500	1	Fan unit 100 -120V, 1300W	
2	147 1111 500	1	Motor suspension kit	
3	147 1088 510	1	Motor cover, UL-approved	
4	147 1086 510	1	Chassis, UL-approved	

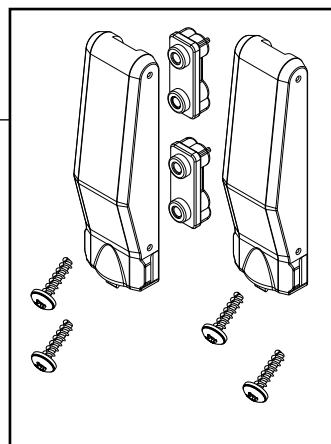


<b>08-02</b>	<b>Nilfisk GD 10 Back</b>	<b>823 0101 040</b>		
	<b>ELECTRICAL PARTS</b>			<b>5</b>

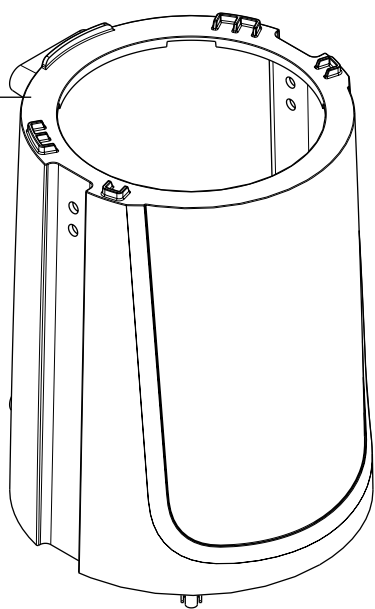
<b>Item</b>	<b>Part No.</b>	<b>Qty.</b>	<b>Description</b>	<b>Note</b>
1	147 1105 500	1	Switch cpl.	
2	140 5496 510	1	Switch	
3	140 8497 530	1	Connector	
4	140 7035 510	1	Sleeve kit	Anti strain clip incl.
5	140 3859 500	1	Cord set US/TW plug, machine end.	1.3 ft (400 mm)
6	147 1231 510	1	Curcuit board 100-120V	
7	140 7042 520	1	Internal wire kit	2 Wires incl.
8	147 1243 500	1	Cord extension	50 ft (15.5 m) Colour: Yellow. 16 AWG



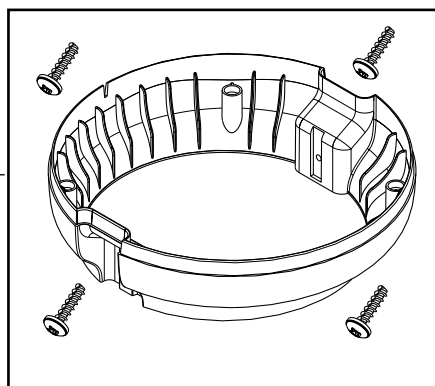
5



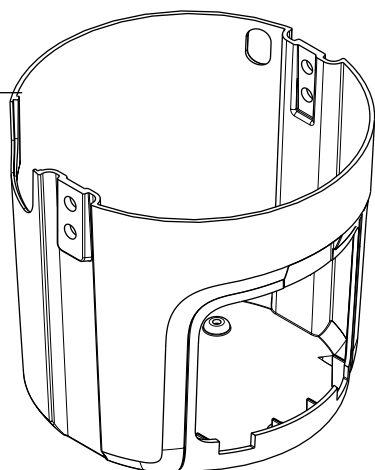
3



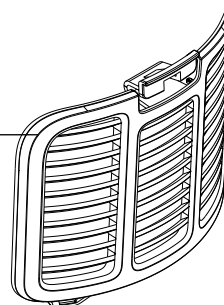
6



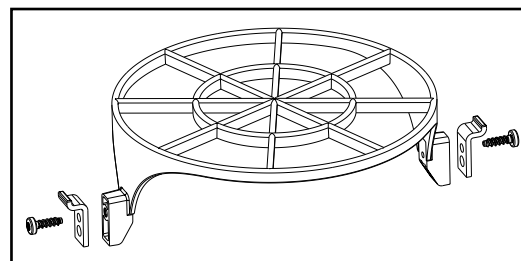
4



7



8

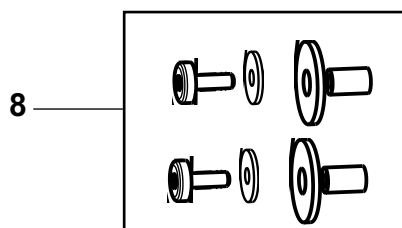
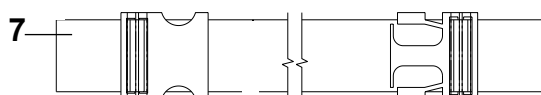
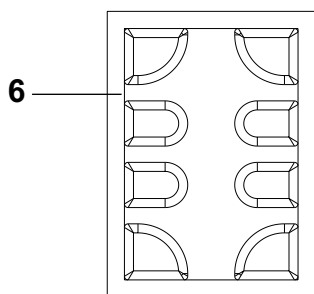
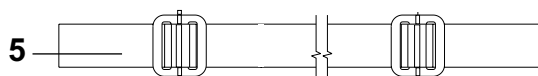
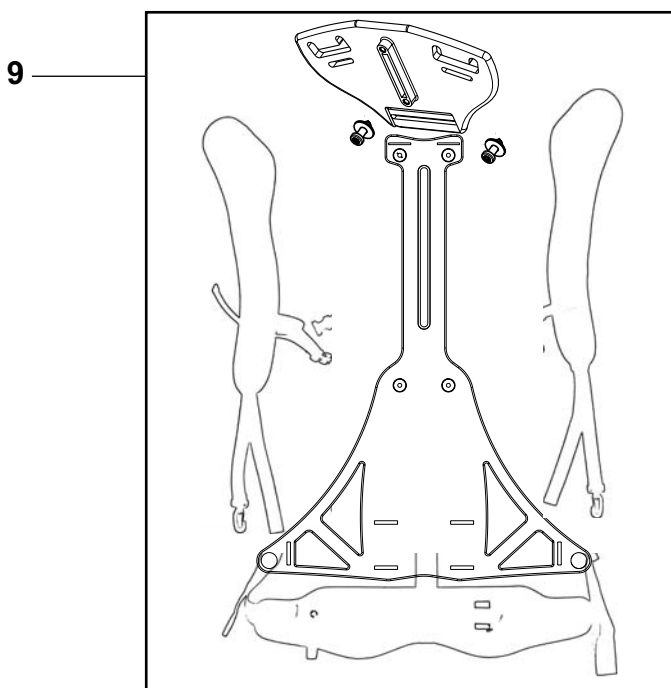
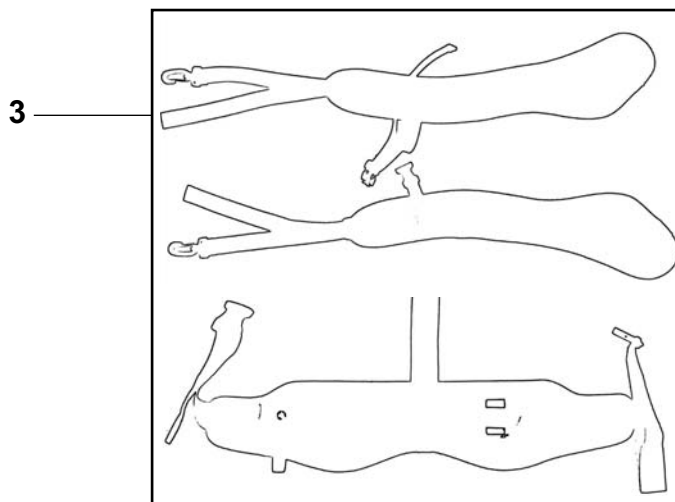
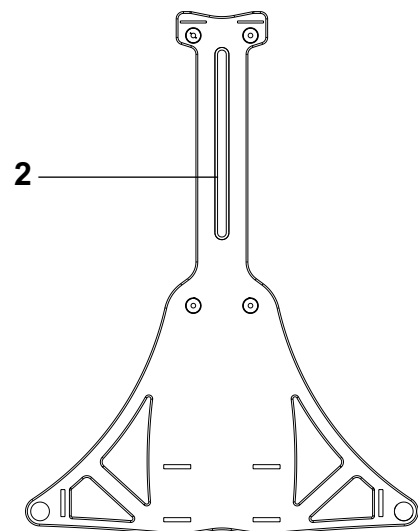
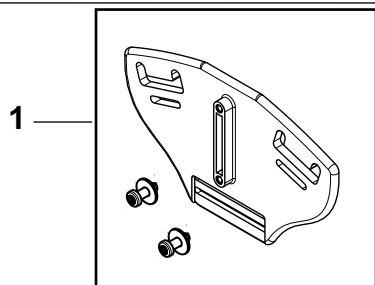


<b>08-02</b>	<b>Nilfisk GD 10 Back</b>	<b>823 0101 040</b>		
	<b>CONTAINER PARTS</b>			<b>7</b>

<b>Item</b>	<b>Part No.</b>	<b>Qty.</b>	<b>Description</b>	<b>Note</b>
1	147 1080 500	1	Outer lid	Grey
3	147 1079 500	1	Container	Grey
4	147 1075 500	1	Cover outer	
4	147 1075 510	1	Cover outer, power outlet	Gasket incl.
5	147 1101 500	1	Latch kit	2 latches, screws and screw towers.
6	147 1078 500	1	Adapter.	Screws incl.
7	147 1082 500	1	Grid exhaust	
8	147 1115 500	1	Basket sack filter	Hooks and screws incl.

8

STRAPS PARTS



<b>08-02</b>	<b>Nilfisk GD 10 Back</b>	<b>823 0101 040</b>		
	<b>STRAPS PARTS</b>			<b>9</b>

<b>Item</b>	<b>Part No.</b>	<b>Qty.</b>	<b>Description</b>	<b>Note</b>
1	147 1092 500	1	Adjusting plate	
2	147 1091 500	1	Harness support	
3	147 1246 500	1	Harness premium	Screws and washers incl.
5	147 1247 500	1	Lifting strap	
6	147 1248 500	1	Padding, back plate	
7	147 1249 500	1	Extension belt	L=400 mm
8	147 1246 600	1	Screw kit	For harness premium
9	147 1246 510	1	Harness premium cpl.	W. adjusting plate and support.

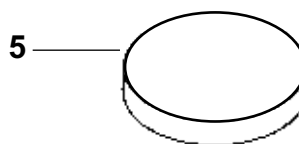
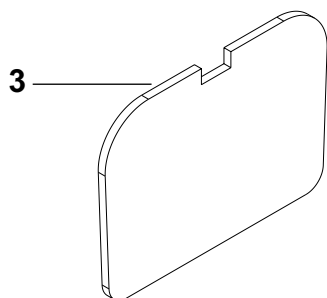
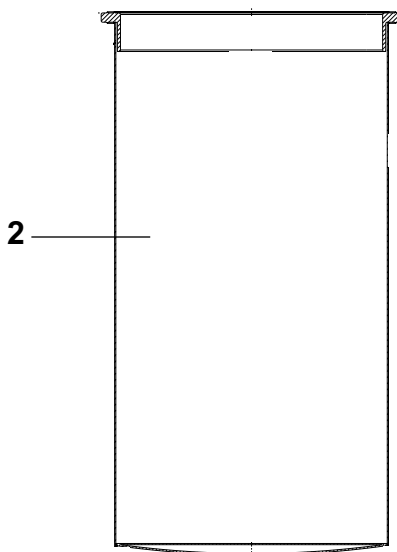
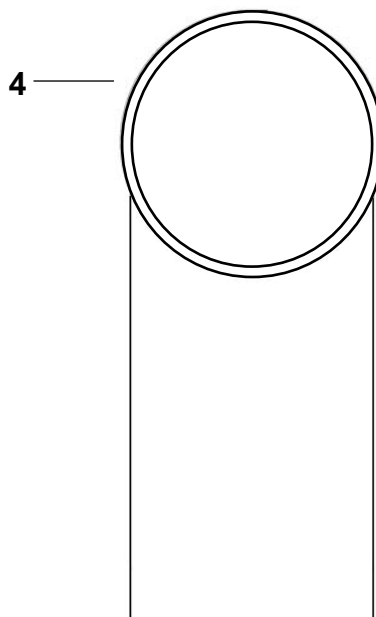
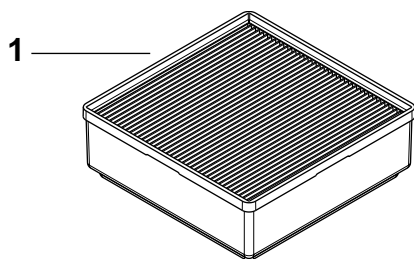
823 0101 040

Nilfisk GD 10 Back

08-02

10

FILTERS



<b>08-02</b>	<b>Nilfisk GD 10 Back</b>	<b>823 0101 040</b>		
	<b>FILTERS</b>			<b>11</b>

<b>Item</b>	<b>Part No.</b>	<b>Qty.</b>	<b>Description</b>	<b>Note</b>
1	147 1104 500	1	HEPA-filter cpl.	
2	147 1099 500	1	Sack filter, for 10XP	
3	147 1089 500	1	Exhaust filter	3 pcs.
4	147 1097 500	1	Dustbag (2.6 Gallon, 10 L)	5 pcs.
5	147 1095 500	1	Prefilter	3 pcs.

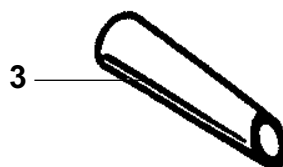
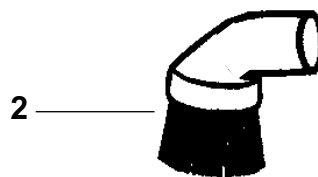
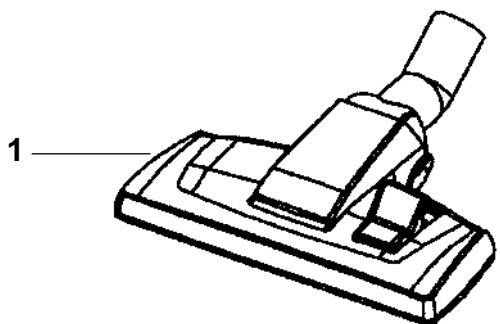
**823 0101 040**

**Nilfisk GD 10 Back**

**08-02**

12

**NOZZLES Ø 32 mm, 1 1/4 inch**



<b>08-02</b>	<b>Nilfisk GD 10 Back</b>	<b>823 0101 040</b>		
	<b>NOZZLES Ø 32 mm, 1 1/4 inch</b>			<b>13</b>

<b>Item</b>	<b>Part No.</b>	<b>Qty.</b>	<b>Description</b>	<b>Note</b>
1	140 8492 520	1	Floor nozzle, combi de luxe	
2	140 8244 000	1	Brush nozzle	
3	81140900	1	Crevice nozzle	

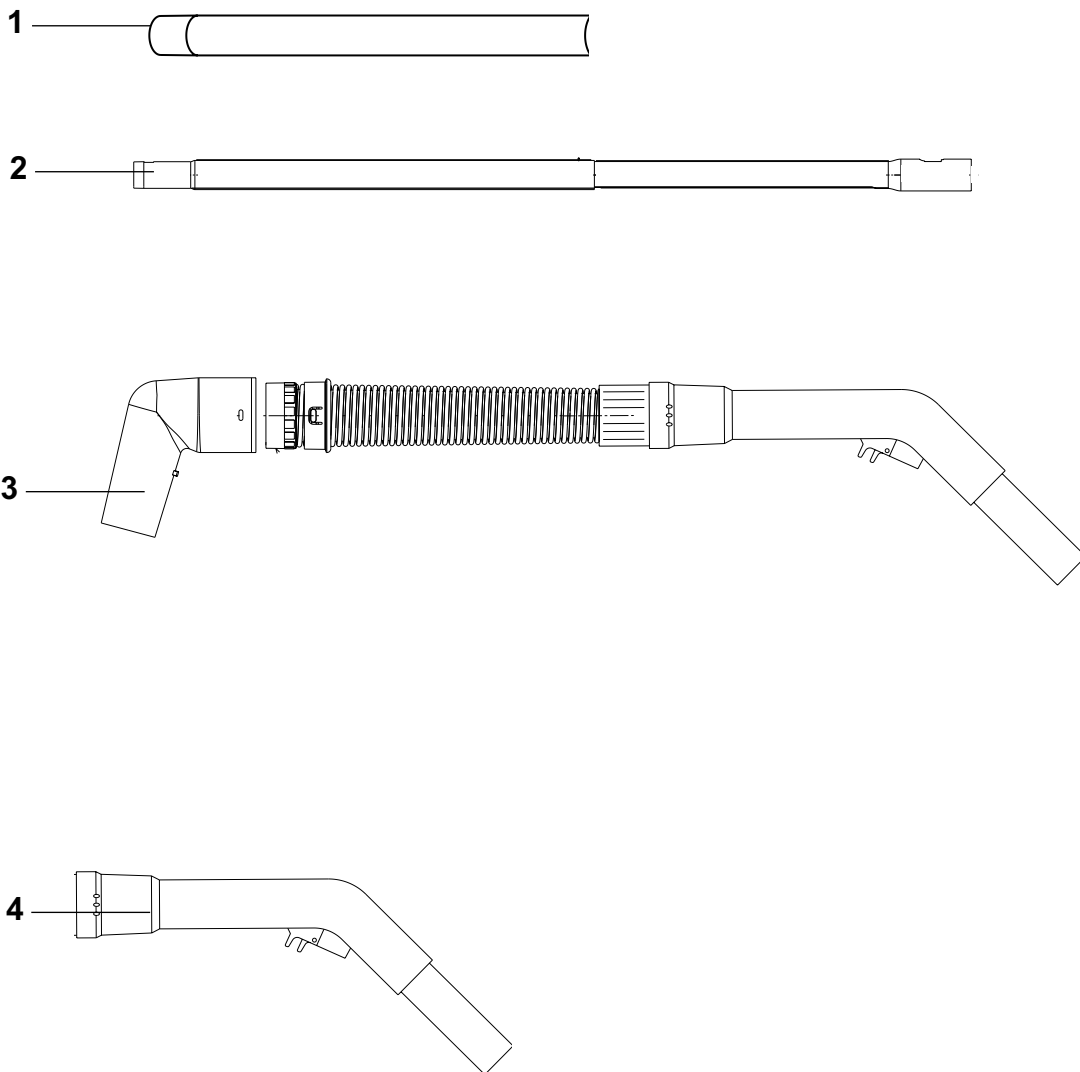
**823 0101 040**

**Nilfisk GD 10 Back**

**08-02**

**14**

**TUBE, HOSE Ø 32 mm, 1 1/4 inch**



<b>08-02</b>	<b>Nilfisk GD 10 Back</b>	<b>823 0101 040</b>		
	<b>TUBES, HOSE Ø 32 mm, 1 1/4 inch</b>			<b>15</b>

<b>Item</b>	<b>Part No.</b>	<b>Qty.</b>	<b>Description</b>	<b>Note</b>
1	011 6431 500	1	Extension tube, aluminium	
2	011 8130 500	1	Tube, telescopic, aluminium	
3	147 1236 500	1	Hose conical, cpl.	L= 45 in. 1150 mm
4	140 7584 500	1	Bent end cpl.	Plastic

## Wiring diagram - Grounded

