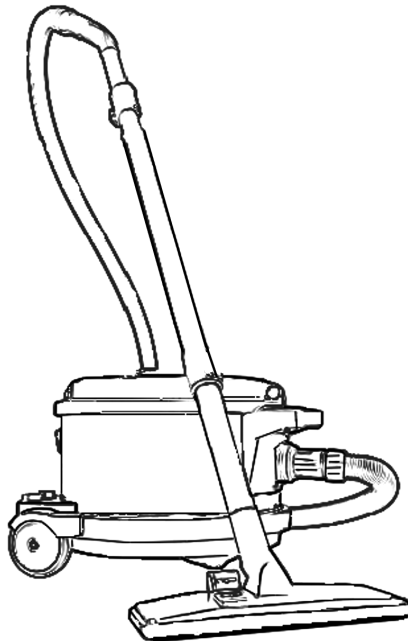


# GD 930, GD 930S2



INSTRUCTIONS FOR USE  
MODE D'EMPLOI



PRINTED IN HUNGARY

822 9393 060  
Edition 2 2006-09

**WARNING**

HEPA-filter must be installed while working with hazardous materials. Failure to do so will expose people in the work area and others to hazardous materials which is a serious health risk.

**EMPTYING**

If this vacuum cleaner is used to collect hazardous material, do not attempt to open or empty its contents without personal protective clothing and respiratory protection. This procedure must be completed in a contained environment.

**AVISO**

El filtro HEPA debe ser instalado cuando trabaje con materiales peligrosos. De no hacerlo así expondrá a las personas dentro de su zona de trabajo y a otras ajenas a él a estos materiales peligrosos, lo cual constituye una grave amenaza para la salud.

**VACIADO**

Si se utiliza la aspiradora para recoger materiales peligrosos, no intente abrirla o vaciar su contenido sin la adecuada indumentaria protectora y la protección respiratoria.

**ATTENTION**

Utiliser le filtre Hepa lorsque l'on travaille avec des substances dangereuses et nocives pour éviter que les personnes présentes ou se trouvant à proximité n'y soient exposées et que leur santé ne soit mise en péril.

**VIDAGE**

Si l'appareil est utilisé pour aspirer des substances dangereuses, ne jamais tenter de l'ouvrir ou de le vider sans porter de vêtements protecteurs et une protection respiratoire.

---

**ENGLISH** \_\_\_\_\_ **2, 4-10**

USE AND SERVICE INSTRUCTIONS WHEN USED IN HAZARDOUS

SUBSTANCE RECOVERY \_\_\_\_\_ **8-9**

**FRANÇAIS** \_\_\_\_\_ **2, 11-15**

INSTRUCTIONS D'UTILISATION ET D'ENTRETIENEN CAS DE RECUEIL

DE SUSTANCES DANGEREUSES \_\_\_\_\_ **14-15**

**USA**

Nilfisk-Advance America Inc.  
300 Technology Drive  
Malvern, PA 19355

Tel.: +1 610 647 6420

Fax: +1 610 647 6427

[www.pa.nilfisk-advance.com](http://www.pa.nilfisk-advance.com)

e-mail: [questions@nilfisk-advance.com](mailto:questions@nilfisk-advance.com)

**Canada**

Nilfisk-Advance Canada Company  
396 Watline Avenue  
Mississauga, Ontario L4Z 1X2

Phone: +(1)905 712 3260

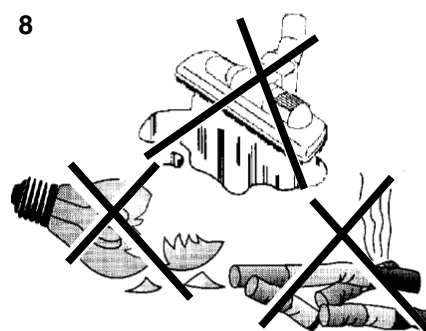
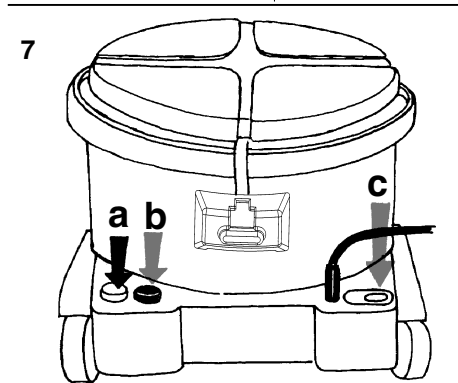
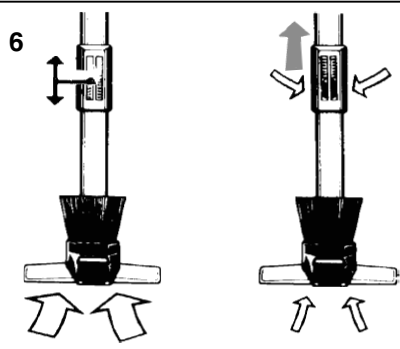
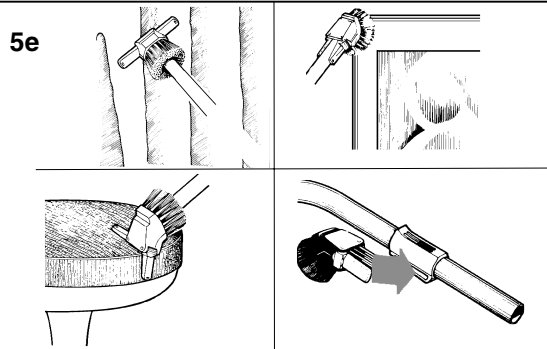
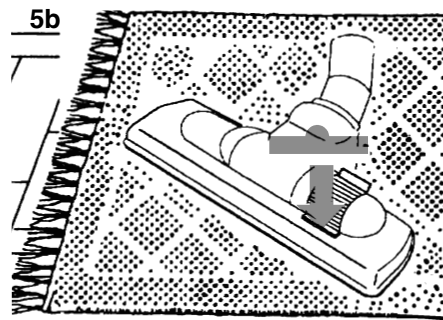
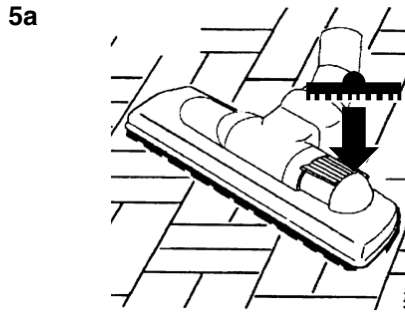
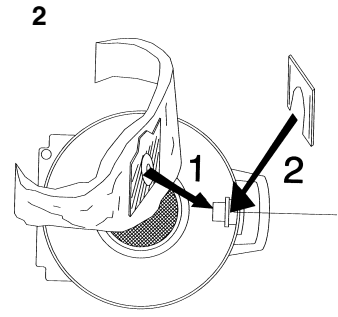
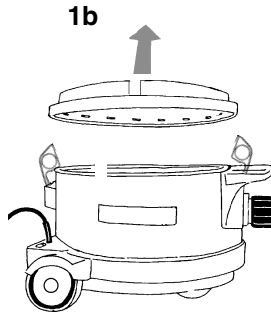
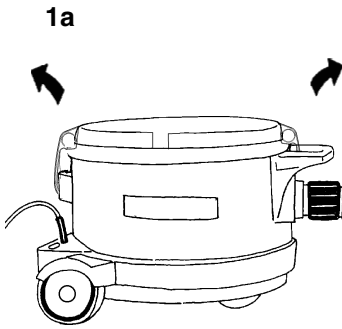
Fax: +1 905 712 3255

[marketing@nilfisk-advance.ca](mailto:marketing@nilfisk-advance.ca)

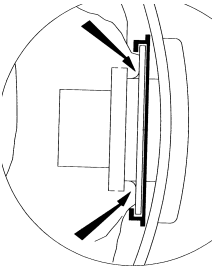
[www.pa.nilfisk-advance.com](http://www.pa.nilfisk-advance.com)



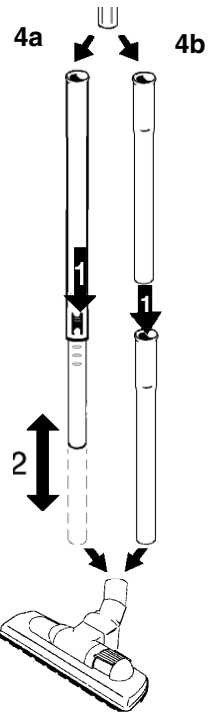
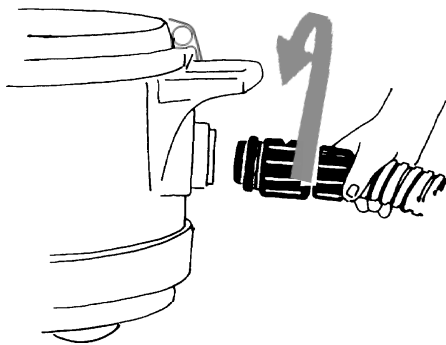
© 2005 Nilfisk-Advance America Inc.



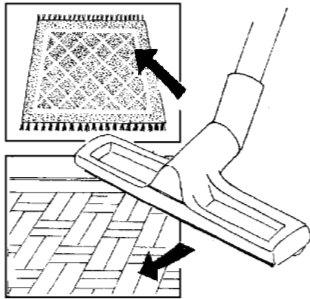
2



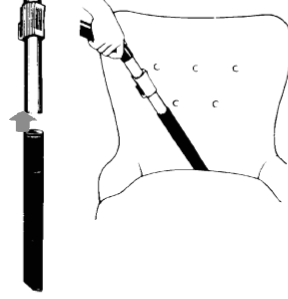
3



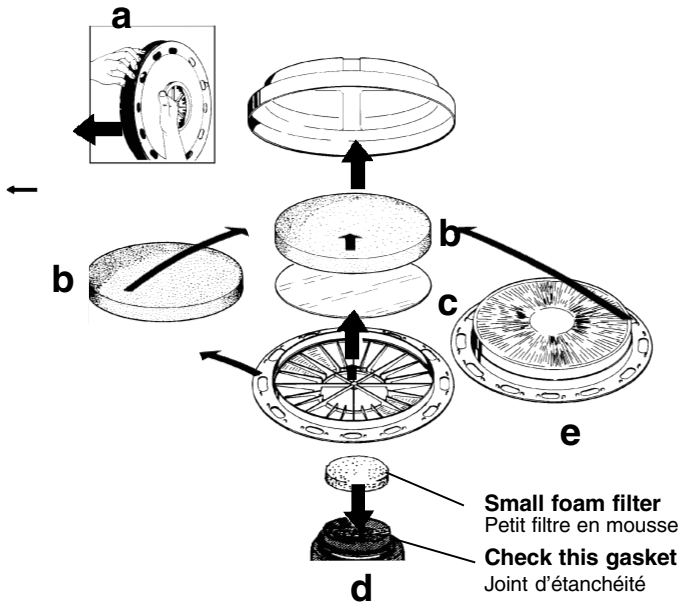
5c



5d



9



# IMPORTANT SAFEGUARDS

**ACCIDENTS DUE TO MISUSE CAN ONLY BE PREVENTED BY THOSE USING THE MACHINE. READ AND FOLLOW ALL SAFETY INSTRUCTIONS.**

## **WARNING!**

To reduce the risk of fire, electric shock, or injury. Please read and follow all safety instructions and caution markings before using.

This vacuum cleaner is designed to be safe when used to perform cleaning functions as specified. Should damage occur to electrical or mechanical parts, cleaner and / or accessory should be repaired by manufacturer or competent service station before using in order to avoid further damage to machine or physical injury to user.

- Do not use outdoors or on wet surfaces.
- Disconnect cleaner before servicing and when not in use. Do not leave unattended cleaner plugged in.
- Do not use with damaged cord or plug.  
To unplug grab the plug, not the cord. Do not handle plug or cleaner with wet hands. Turn off all controls before unplugging.
- Do not pull or carry by cord, use cord as a handle, close a door on cord, or pull cord around sharp edges or corners. Do not run cleaner over cord. Keep cord away from heated surfaces.
- Keep hair, loose clothing, fingers and all parts of the body away from openings and moving parts. Do not put any objects into openings or use with opening blocked. Keep openings free of dust, lint, hair, and anything else that could reduce air flow.
- Do not pick up anything that is burning or smoking, such as cigarettes, matches or hot ashes.
- Do not use to pick up flammable or combustible liquids such as gasoline or use in areas where they may be present.
- Do not allow to be used as a toy. Close attention is necessary when used by or near children.
- Do not use unless filters and bag are in place.
- Use extra care when using on stairs or irregular surfaces.
- If cleaner is not working properly or has been dropped, damaged, left outdoors, or dropped into water, return it to a service center or dealer.
- Use only as described in this manual and only with manufacturer's recommended attachments.
- The use of the HEPA-filter when picking up hazardous materials has not been evaluated by Intertek ETL.
- The use of this machine in conjunction with the pick-up of hazardous materials has not been investigated by Intertek ETL.

**SAVE THESE INSTRUCTIONS**

## **GENERAL INFORMATION**

This vacuum cleaner can be used for household or commercial use.

**BEFORE YOU PLUG IN YOUR CLEANER**, check the rating plate to see if the rated voltage agrees within 10% of the voltage available.

**DO NOT OIL!** The motor in your new cleaner is permanently lubricated and sealed. Do not oil the motor at any time.

During shipping, the dust bag may have become dislodged. Check the bag to insure proper seating before attempting to use the cleaner. Do not operate the cleaner without the dust bag as damage may result to the motor.

When the machine is not in use, store it standing on its back-side. Wind the cord beginning at the machine and then store the cord hanging on the machine handle.

This vacuum cleaner is equipped with a thermo protection switch to prevent overheating of components. Should this safety switch shut the system down it is necessary to wait at least 5 -10 minutes for it to automatically reset. Remove clogged elements in hose and replace dust bag if necessary during this period. Check to see if filter is clogged. For longer service life and safe use of your vacuum cleaner, we recommend the following guidelines: Your cleaner is designed to pick up dirt and dust particles. **It is not designed for water pick up.** Avoid picking up hard or sharp objects with your cleaner to avoid bag breakage, clogging or possible motor damage.

## **IMPORTANT!**

This machine is equipped with a specially designed cable, if it's damaged, it must be replaced by a cable of the same type. These cables are available at authorized service shops and must be installed by trained personnel.

## **NOTE!**

Remove the plug from the socket before performing maintenance. Before using the machine make sure that the frequency and voltage shown on the rating plate corresponds with the supply voltage. Specifications and details are subject to change without prior notice.

# GROUNDING / DOUBLE INSULATION INSTRUCTIONS

## GROUNDING INSTRUCTIONS

**Applicable to machines with a three pin plug.** This appliance must be grounded. If it should malfunction or breakdown, grounding provides a path of least resistance for electric current to reduce the risk of electric shock. This appliance is equipped with a cord having an equipment-grounding conductor and grounding plug. The plug must be plugged into an appropriate outlet that is properly installed and grounded in accordance with all local codes and ordinances.

### **DANGER!**

Improper connection of an equipment-grounding conductor can result in risk of electric shock. Check with qualified electrician or service person if you are in doubt as to whether the outlet is properly grounded. Do not modify the plug provided with the appliance. If it will not fit the outlet, have proper outlet installed by a qualified technician.

This appliance is for use on a nominal 120 volt circuit and has a grounding plug that looks like the plug illustrated in Figure A.

A temporary adaptor which looks like the adaptor illustrated in Figure B may be used to connect this plug to a two-pole receptacle, as shown, if a properly grounded outlet is not available. The temporary adaptor should be used only until a properly grounded outlet, Figure A, can be installed by a qualified electrician. The green colored rigid ear, lug, or the like extending from the adaptor must be connected to a permanent ground such as a properly grounded outlet box cover. Whenever the adaptor is used, it must be held in place by a metal screw.

**NOTE! This temporary adaptor is not permitted in Canada.**

## SERVICING OF DOUBLE-INSULATED APPLIANCES

### **Applicable to machines with a two-pin plug**

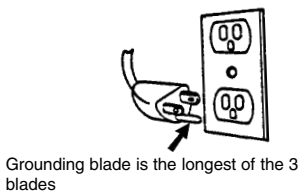
In a double-insulated appliance, two systems of insulation are provided instead of grounding. No grounding means is provided on a double-insulated appliance, nor should a means for grounding be added to the appliance. Servicing a double-insulated appliance requires extreme care and knowledge of the system, and should be done only by qualified service personnel. Replacement parts for a double-insulated appliance must be identical to the parts they replace. A double insulated appliance is marked with the words "DOUBLE INSULATION" or "DOUBLE INSULATED." The symbol (square within a square) may also be used on the product.



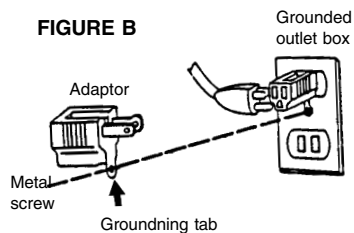
## SERVICE INFORMATION

To obtain consistent performance over the life of your vacuum, read through these instructions and keep them handy for future reference. If you require service, contact the dealer from whom the vacuum was purchased, or the local authorized Service Station. Always refer to your Service Station for complete service information. For prompt and complete service information, always refer to the model, type and serial number indicated on the rating plate.

**FIGURE A** Grounded outlet box



**FIGURE B**



## USE AND SERVICE INSTRUCTIONS WHEN USED IN HAZARDOUS SUBSTANCE RECOVERY

### WARNING!



To reduce the risk of exposure to hazardous substances you must read and follow all safety instructions in this Instructions for Use manual.

#### Attention Employer

Please ensure this Instructions for Use manual are provided to and understood by your employees or any other persons who use this equipment.

To list all toxic and hazardous substances would be beyond the scope of these instructions. It is the employer's and operator's responsibility to identify hazardous or toxic substances which may be collected by the equipment during operation. Such information must be communicated to operators and other potential users of this equipment.

#### General Instructions

Contact with the cleaner, dustbag, filter and all other accessories used when picking-up hazardous materials must be handled according to federal (EPA, OSHA), state and local regulations valid for the vacuumed substance.

All used filters, bags, and debris must be treated as a hazardous substance and must be disposed of in accordance with all federal, state, and local regulations.

This cleaner is designed for recovery and collection of dust, debris and particulates only. This cleaner is not suitable for recovery and collection of any form of hazardous vapors. Do not use the cleaner if these vapors are present.

**Do not use this cleaner for the removal of hazardous substances unless you are licensed and/or certified for this work by the all authorities having jurisdiction.**

#### Instructions for Use

Operation of the cleaner when picking up hazardous substances must be accompanied by the use of appropriate personal protective clothing and respiratory protection.

Do not pick-up hazardous substances without the HEPA filters in place.

If this vacuum cleaner is used to collect hazardous substances, do not attempt to open or empty its contents without the use of personal protective clothing and respiratory protection.

If the cleaner is not working properly or has been dropped, damaged, left out doors, or dropped into water, return it to a qualified service center or dealer.

If the cleaner is used in an enclosed contaminated environment, it should be committed exclusively to this type of environment and not operated outside of an enclosed and controlled environment.

Before the cleaner and any accessories are removed from a controlled environment, all external surfaces must be decontaminated according to federal (EPA, OSHA), state and local regulations valid for the vacuumed substance.

#### Filter Replacement

All used filters, bags, and debris must be treated as a hazardous substance and must be disposed of in accordance with all federal, state, and local regulations.

Use only approved Nilfisk-Advance vacuum filters and bags.

The following is a recommended replacement interval for all of the filters and bag. These items should be replaced more often if you experience a loss of performance.

Disposable paper filter bags - When the bag is 2/3 full it must be replaced. Excessive over filling of this bag makes it difficult to remove from the cleaner and can result in breakage and spills.

HEPA filter - Replace filter at least every six months or more often if a loss of vacuum continues after you have replaced the paper bag.

#### How to examine filters

Filters collect and are contaminated with hazardous substances. The inspection and or replacement of any filter must only be done with the use of personal protective clothing, proper respiratory protection and in a controlled environment.

The HEPA filters cannot be cleaned. Periodically make a visual inspection of each filter for a build-up of debris or damage to the sealing surfaces. If any filter appears to be clogged, damaged in any way, or has changed color (should be white) which indicates excessive dirt build-up, replace both with new filters making sure to install a new pre-filter.

If any visible dust particle emissions are observed in the vacuum exhaust air stream, stop operations immediately. If this occurs, the HEPA filters has ruptured or failed and must be replaced.

## USE AND SERVICE INSTRUCTIONS WHEN USED IN HAZARDOUS SUBSTANCE RECOVERY

### Procedures for exchanging filters

· All used filters, bags, and debris must be treated as a hazardous substance and must be disposed of in accordance with all federal, state, and local regulations.

#### · Pre-filter

Grasp the snap lockings and pull them outwards. Lift lid up from the container. The pre filter is located at the motor stand in the middle of the cleaner. Clean the sealing surfaces before reinstalling the new pre-filter.

#### · HEPA filter

The HEPA filter is placed inside the lid. Grasp the snap lockings and pull them outwards. Lift lid up from the container.

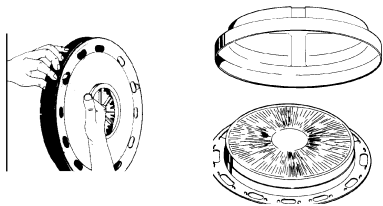
### HEPA filter pre mounted in new lid

There is a complete after sale HEPA filter unit kit for the GD 930 and GD 930 S2 available (part number 140 7801 510). This kit contains the outer lid and the HEPA-filter pre mounted in this lid. This is a comfortable way to replace HEPA filter.

**To add HEPA filter pre mounted in lid:** Using care not to dislodge any debris, clean the sealing surfaces before reinstalling the new lid/HEPA filter assembly. Remove the old lid from container and replace with the new lid/HEPA filter assembly. Secure new lid to the machine with the snap locks.

### HEPA filter not pre mounted in the lid

If you only want to replace the HEPA filter follow these instructions: Remove the filter lid from the container. The HEPA filter is located inside the lid and is attached to the cover at 4 points around the lid. Hold the lid by the edge with one hand and gently separate the filter holder from the lid with your other hand.



### To add new HEPA filter to the lid

Install the HEPA filter into the cleaner with the "HEPA" label facing outwards. Make sure the filter holder is securely attached at all 4 points around the lid.

Replace the lid onto the container and secure the lid using the snap locks.

**Warning!** Hazardous dust may be discharged by the machine if the filter is not properly secured.

### Service Instructions

· If this cleaner has been used to pick-up hazardous substances in an enclosed contaminated environment, the internal components may be contaminated.

· External decontamination of the cleaner must be carried out. However, external decontamination will not eliminate any internal contamination. Any servicing involving disassembly must be done inside of a contained environment by trained service personnel using appropriate personal protective clothing and respiratory protection.

· Any replaced components or debris collected during servicing should be treated as a hazardous substance and must be disposed of in accordance with all federal, state, and local regulations.

· All gaskets should be replaced anytime the unit is disassembled to assure high machine efficiency.

# INSTRUCTIONS FOR USE

## 1. To open

- Pull the retaining clips upward and outward.
- Lift the cover from the container.

## 2. Dust bag

Fit the opening on the dust bag over the air inlet. Press the membrane over the flanged edge on the inlet. Secure with locking collar. Use only original dust bags.

## 3. Hose connection

Push the hose coupling all the way in and turn clockwise.

## 4. Wand assembly

**a) Telescopic:** Push down the catch and then adjust the length. Max.950mm,min.630mm.

**b) Standard:** Fit the sections together and twist to lock in place.

## 5. Tools

*The accessories shown in the pictures may vary from model to model.*

### a-b) Combination nozzle

Adjust the nozzle according to the requirements of the floor you are cleaning. Work with the brush on hard floors and without it on soft floors.

### c) Universal nozzle

for both hard floors and carpets.

### d) Crevice nozzle

Use to clean furniture, radiators and others hard-to-reach places.

### e) Small combi-nozzle:

The small combi-nozzle combines a dusting brush for furniture, picture frames, mouldings etc. with a fold-out nozzle for cleaning curtains, furniture and other soft surfaces. The clip on the hose handle holds the nozzle when it is not in use.

## 6. Suction control

The suction control in the hose handle lets you regulate the air-flow to prevent the nozzles from fastening to the surfaces you are vacuum cleaning.

## 7. Start/Stop

- Foot-operated on/off switch.
- On the S 2 version a separate switch is provided to change the motor speed .
- Plug-in point for powered carpet nozzle. Power is supplied to the socket when the machine is switched on.

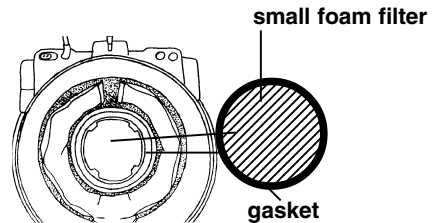
## 8. Warning!

Never attempt to vacuum liquid, glass fragments or ashes! Wet surfaces can expose the operator to possible electrical shock.

## 9. Filter

The filters are located inside the lid. Grasp the snap lockings and pull them outwards. Lift up the lid from container. To reach them lift out the **filter holder (a)**. The **standard filter(b)** and **fine filter (c)** should be inspected at regular intervals,e.g. when you change dust bags, and replace if necessary. Instead of these two filters you can fit a micro filter of **HEPA-quality (e)**, which traps 99,99% of all particles larger than 0,3 microns.

**IMPORTANT!** There is the possibility that the gasket on the motor stand will adhere to the **HEPA filter (e)** when the top cover is removed. If this should happen, check the following: Clean any debris from the gasket prior to seating it securely around the top of the motor housing. Be sure that the wider/softer part of the gasket seals up against the HEPA filter. Also make sure the gasket is securely in place completely around the upper part of the motor housing.



The machine is also fitted with a **Pre filter (d)** located above the motor. This filter should also be inspected and replaced if necessary.

## WARNING!

Remove the plug from the socket before performing service or maintenance.

# IMPORTANTES MESURES DE SÉCURITÉ

**L'UTILISATION D'UN APPAREIL ÉLECTRIQUE DEMANDE CERTAINES PRÉCAUTIONS: LIRETOUTES LES INSTRUCTIONS AVANT DE FAIRE FONCTIONNER CET APPAREIL.**

## AVERTISSEMENT!

Pour réduire les risques de choc électrique ne pas utiliser à l'extérieur et ne pas aspirer de matières humides. Cet aspirateur peut être utilisé en toute sécurité si l'on suit les instructions données. En cas de dommage aux composants électriques ou mécaniques, l'appareil et/ou les accessoires doivent être réparés par la fabricant ou par un réparateur compétent avant tout nouvel usage, afin d'éviter de détériorer l'appareil ou de blesser l'utilisateur.

- Ne pas utiliser à l'extérieur et ne pas aspirer de matières humides.
- Ne pas laisser l'appareil sans surveillance lorsqu'il est branché. Débrancher lorsque l'appareil n'est pas utilisé et avant l'entretien.
- Ne pas utiliser si le cordon ou la fiche est endommagé. Retourner l'appareil à un atelier de réparation s'il ne fonctionne pas bien, s'il est tombé ou s'il est endommagé ou oublié à l'extérieur ou immergé.
- Ne pas tirer soulever ou traîner l'appareil par le cordon. Ne pas utiliser le cordon comme une poignée le coincer dans l'embrasure d'une porte ou l'appuyer contre des arêtes vives ou des coins. Ne pas faire rouler l'appareil sur le cordon. Garder le cordon à l'écart des surfaces chaudes.
- Ne pas débrancher en tirant sur le cordon. Tirer plutôt la fiche.
- Ne pas toucher la fiche ou l'appareil lorsque vos mains sont humides.
- Maintenir les cheveux, les vêtements amples les doigts et toutes les parties du corps à l'écart des ouvertures et des pièces mobiles.
- N'insérer aucun objet dans les ouvertures. Ne pas utiliser l'appareil lorsqu'une ouverture est bloquée. S'assurer que de la poussière, de la peluche, des cheveux ou d'autres matières ne réduisent pas le débit d'air.
- Ne pas aspirer de matières en combustion ou qui dégagent de la fumée, comme des cigarettes, des allumettes ou des cendres chaudes.
- Ne pas aspirer des liquides inflammables ou combustibles, comme de l'essence, et ne pas faire fonctionner dans des endroits où peuvent se trouver de tels liquides.
- Ne pas permettre aux enfants de jouer avec l'appareil. Une attention particulière est nécessaire lorsque l'appareil est utilisé par des enfants ou à proximité de ces derniers.
- N'utiliser que conformément à cette notice avec les accessoires recommandés par la fabricant.

- Ne pas utiliser l'appareil si le sac à poussière ou le filtre n'est pas en place.
- Mettre toutes les commandes à la position avant de débrancher l'appareil.
- User de prudence lors de nettoyage des escaliers.
- L'utilisation du filtre HEPA pour le ramassage de matières dangereuses n'a pas été évaluée en Intertek ETL.
- L'usage de cet appareil pour le ramassage de matières dangereuses n'a pas été testé par Intertek ETL.
- Toujours mettre l'interrupteur de l'appareil à la position ARRÊT avant de brancher ou de débrancher la brosse à moteur.

## GÉNÉRALITÉS

Cet aspirateur est à usage domestique ou commercial. **AVANT DE BRANCHER L'ASPIRATEUR AU RÉSEAU**, consultez la plaque signalétique derrière l'appareil pour vous assurer que son voltage correspond dans une limite de 10% au voltage disponible.

**NE PAS GRAISSER.** Le moteur est graissé à vie et entièrement étanche. Ne jamais graisser celui-ci. Lors du transport, le sac à poussière peut s'être détaché. En vérifier la position avant usage. Ne pas utiliser l'aspirateur sans son sac, au risque d'endommager le moteur.

Ranger l'appareil debout sur sa partie arrière. Enrouler le cordon en partant de l'appareil puis le suspendre à la poignée de l'aspirateur.

Cet aspirateur est muni d'un rupteur thermique pour protéger les composants contre la surchauffe. Si ce rupteur thermique arrête l'aspirateur, attendre de 5 à 10 minutes et l'aspirateur se remet automatiquement en marche. Pendant ce temps vérifier le flexible, le sac et le filtre. Déboucher éventuellement le flexible, remplacer le sac s'il est plein ou remplacer le filtre s'il est colmaté. Pour une durée de vie prolongée et une sécurité garantie, nous recommandons les précautions suivantes: l'aspirateur est fait pour ramasser la poussière, **et non pas pour éteindre l'eau.** Éviter des objets durs et coupants pour ne pas abîmer le sac, boucher l'appareil ou détériorer le moteur.

## IMPORTANT

Cet appareil est muni d'un câble de type spécial. En cas d'endommagement de celui-ci, il doit être remplacé par un câble de même type. Les câbles sont disponibles dans tous les centres de réparation autorisés et doivent être changés par un technicien compétent.

## CONSERVER CES INSTRUCTIONS

# INSTRUCTIONS VISANT LA MISE À LA TERRE / ENTRETIEN DES APPAREILS À DOUBLE ISOLATION

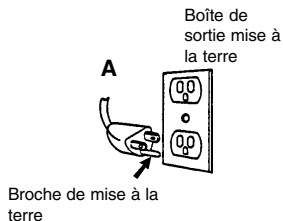
## INSTRUCTIONS VISANT LA MISE À LA TERRE

**Pour les machines avec une fiche avec trois conducteurs.** Cet appareil doit être mis à la terre. En cas de défaillance ou de panne éventuelles, la mise à la terre fournit au courant un chemin de moindre résistance qui réduit le risque de choc électrique. Cet appareil est pourvu d'un cordon muni d'un conducteur de terre et d'une fiche avec broche de terre. La fiche doit être branchée dans une prise appropriée correctement installée et mise à la terre conformément aux règlements et ordonnances municipaux.

### AVERTISSEMENT!

Un conducteur de terre mal raccordé peut entraîner un risque de choc électrique. Consulter un électricien ou un technicien d'entretien qualifié si vous n'êtes pas certain que la prise est correctement mise à la terre. Ne pas modifier la fiche fournie avec l'appareil - si elle ne peut être insérée dans la prise, faire installer une prise adéquate par un électricien qualifié. Cet appareil est destiné à un circuit de 120 V et est muni d'une fiche de terre semblable à celle illustrée par le croquis A de la figure. Un adaptateur temporaire semblable à celui illustré par les croquis B peut être utilisé pour brancher cette fiche à une prise bipolaire comme l'illustre le croquis B si une prise avec mise à la terre n'est pas disponible. L'adaptateur temporaire devrait être utilisé seulement jusqu'à ce qu'une prise avec mise à la terre soit installée par un électricien qualifié. L'oreille rigide ou le crochet ou autre dispositif semblable, de couleur vert, prolongeant l'adaptateur doit être raccordé à un élément correctement mis à la terre comme le couvercle d'une boîte de sortie mise à la terre. L'adaptateur doit être fixé par une vis métallique.

**Note.** Au Canada, l'utilisation d'un adaptateur temporaire n'est pas autorisée par le Code canadien de l'électricité.



## ENTRETIEN DES APPAREILS À DOUBLE ISOLATION

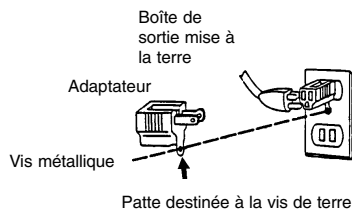
Dans un appareil à double isolation, deux isolations distinctes remplacent la mise à la terre. L'appareil n'est pourvu d'aucun dispositif de mise à la terre et un tel dispositif ne doit pas être ajouté. L'entretien d'un appareil à double isolation demande beaucoup de soins ainsi qu'une bonne connaissance du système et ne devrait être effectué que par un technicien d'entretien qualifié. Les pièces de rechange d'un appareil à double isolation doivent être identiques aux pièces originales. Un appareil à double isolation porte le marquage "DOUBLE ISOLATION". Le symbole - (carré dans un carré) peut aussi figurer sur l'appareil.



## INFORMATION DE SERVICE

Pour avoir le meilleur rendement de votre appareil, bien lire les instructions d'emploi et les conserver comme référence. En cas de réparation, consultez votre fournisseur ou bien le réparateur accrédité le plus proche. Toujours consulter le réparateur pour toute information relative à l'entretien. Pour avoir une information rapide et complète, indiquez le modèle, le type et le numéro de série de votre appareil (voir plaque signalétique).

### B



# MODE D'EMPLOI

## 1. Ouvrir

Tirer le collier de serrage (a) et soulever le couvercle (b).

## 2. Mise en place de sac

Présenter l'ouverture de sac sur la bouche d'aspiration. Ajuster la membrane par dessus le bourrelet de la bouche d'aspiration et la fixer avec le clip de sac. N'utiliser que des sacs d'origine.

## 3. Fixation du tuyau

Enfoncer le raccord de tuyau et tourner dans le sens horaire.

## 4. Assemblage des rallonges en aluminium

### a) Tube télescopique:

Votre tube télescopique est livré sur sa longueur minimum, vous devez donc l'adapter à vos besoins (voir dessin). Pour l'aspiration des marches d'escalier, vous assurer que le tube est sur sa longueur minimum.

**b) Pour raccorder** les deux parties du tube, simplement insérer une moitié dans l'autre en poussant fermement.

## 5. Accessoires

**a-b) Suceur combiné:** avec bouton de réglage. D'un côté la brosse (pour les sols durs), de l'autre, brosse désactivée (pour glisser sur la moquette).

**c) Suceur universel:** pour sols durs et moquette

**d) Suceur à fente:** est destiné à l'aspiration de tous les endroits difficiles d'accès; radiateurs, coins, derrière les meubles.

**e) Brosse Combinée:** est l'accessoire idéal, pour le nettoyage des lampes, étagères, bibliothèques et tableaux. Le coude du tuyau comporte un support pratique pour l'embout.

## 6. Languette de réglage de la puissance d'aspiration

En position basse (fermé) la puissance d'aspiration est maximale. En faisant glisser la languette vers le soi, on peut diminuer la puissance de l'aspiration.

## 7. Marche/Arrêt

a) Commande au pied marche/arrêt

b) Demi-/pleine vitesse (seulement GD 930 S2) Quand le bouton est enfoncé, la machine fonctionne à plein régime. Quand il est relâché, la machine fonctionne à demi-vitesse.

c) La prise électrique pour suceur à tapis motorisé se branche lors de la mise en marche de la machine.

## 8. Attention!

Ne jamais aspirer des liquides, cendres ou débris de verre!

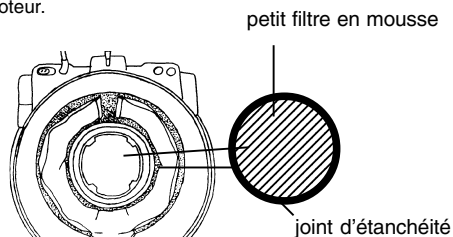
## 9. Filtres

Le filtre principal est placé dans le couvercle. On y accède en soulevant le porte-filtre comme indiqué sur la figure (a) puis en enlevant celui-ci.

La figure (b) montre le **filtre standard**, la figure (c) le **filtre fin**. Vérifier ces filtres régulièrement, par exemple en changeant le sac à poussière, et les remplacer au besoin.

Au lieu de ces deux filtres, on peut utiliser un **micro-filtre de type HEPA (e)**. Ce filtre élimine de l'air d'extraction 99,99% des particules supérieures à 0,3 µ.

**IMPORTANT!** Il se peut que le joint du support de moteur adhère au **filtre HEPA (e)** quand le couvercle supérieur est retiré. Dans ce cas: nettoyer le joint avant de le mettre en place autour du dessus du carter de moteur. S'assurer que la partie plus large/souple du joint se place bien contre le filtre HEPA. Vérifier aussi que le joint est bien en place tout autour de la partie supérieure du carter de moteur.



La machine est en outre équipée d'un **filtre-catastrophe (d)** placé au-dessus de la partie moteur. Il convient de le vérifier, et éventuellement le remplacer, en même temps que le sac à poussières.

## IMPORTANT

Avant toute opération d'entretien ou réparation sur l'aspirateur toujours le débrancher de sa source d'électricité.

## INSTRUCTIONS D'UTILISATION ET D'ENTRETIEN EN CAS DE RECUEIL DE SUBSTANCES DANGEREUSES

### AVERTISSEMENT!

Afin de réduire le risque d'exposition à des substances dangereuses, lisez attentivement et suivez scrupuleusement toutes les consignes de sécurité comprises et dans le Manuel d'utilisation.

#### Avertissement aux employeurs

- Veuillez vous assurer que les instructions d'utilisation sont à la disposition de vos employés ou de tout autre utilisateur de l'équipement et qu'elles sont bien comprises par toutes ces personnes.
- Il n'est pas du ressort de ces instructions de fournir une liste de toutes les substances dangereuses et toxiques. Il est de la responsabilité de l'employeur et de l'opérateur d'identifier les substances dangereuses ou toxiques susceptibles d'être aspirées par l'équipement. Ces informations doivent être communiquées aux employés et aux autres utilisateurs potentiels de cet appareil.

#### Instructions générales

- L'aspirateur, le sac à poussière, le filtre et tous les autres accessoires utilisés pour recueillir des matériaux dangereux doivent être manipulés selon les réglementations fédérales (EPA, OSHA), nationales et locales relatives à la substance aspirée.
- Tous les sacs et filtres usagés et tous les débris doivent être considérés comme des substances dangereuses et mis au rebut conformément à toutes les réglementations fédérales, nationales et locales.
- Cet aspirateur est conçu uniquement pour le recueil et l'aspiration de la poussière, des débris et des particules. Cet aspirateur ne convient pas au recueil et à l'aspiration de vapeurs dangereuses quelle que soit leur nature. N'utilisez pas l'aspirateur si ces vapeurs sont présentes.
- **N'utilisez pas cet aspirateur pour l'aspiration de substances dangereuses sauf si vous êtes accrédité et/ou certifié pour ce type de travail par toutes les autorités concernées.**

#### Instructions d'utilisation

- L'utilisation de cet aspirateur pour l'aspiration des substances dangereuses exige le port de vêtements de protection personnelle appropriés et d'une protection respiratoire.
- N'aspirez pas de substances dangereuses si les filtres HEPA ne sont pas en place.
- En cas d'utilisation de cet aspirateur pour aspirer des substances dangereuses, ne tentez pas de l'ouvrir ou de vider son contenu sans porter des vêtements de protection personnelle appropriés et une protection respiratoire.
- Si l'aspirateur ne fonctionne pas correctement, s'il est tombé, abîmé, s'il a été abandonné à l'extérieur ou s'il a été immergé, apportez-le dans un atelier d'entretien agréé ou chez le revendeur.

d'environnement et ne doit pas être utilisé à l'extérieur d'un environnement contrôlé et fermé.

- Avant de sortir l'aspirateur et ses accessoires d'un environnement contrôlé, décontaminez toutes les surfaces externes conformément aux réglementations fédérales (EPA, OSHA), nationales et locales relatives à la substance aspirée.

#### Remplacement du filtre

- Tous les sacs et filtres usagés et tous les débris doivent être considérés comme des substances dangereuses et mis au rebut conformément à toutes les réglementations fédérales, nationales et locales.
- Utilisez uniquement les filtres et sacs agréés par Nilfisk-Advance.
- Les instructions suivantes concernent les intervalles de remplacement recommandés pour tous les filtres et le sac. Ces éléments doivent être remplacés plus souvent si l'appareil perd de son efficacité.
- Sacs filtrants jetables en papier - Le sac doit être remplacé quand il est aux deux tiers plein. Un sac trop plein est difficile à retirer de l'aspirateur. Il risque de se déchirer et de déverser son contenu.
- Préfiltre - Ce filtre doit être remplacé lors de chaque cinquième remplacement du sac en papier ou quand une quantité visible de débris est accumulée sur le filtre.
- Filtre HEPA - Remplacez les deux filtres au moins tous les six mois et plus souvent si une perte d'aspiration peut encore être détectée après le remplacement du sac en papier.

#### Comment inspecter les filtres

- Les filtres collectent des substances dangereuses et sont contaminés. L'inspection et/ou le remplacement d'un filtre, quel qu'il soit, doivent être effectués dans un environnement contrôlé et exigent le port de vêtements de protection personnelle appropriés et d'une protection respiratoire.
- Les filtres HEPA ne peuvent pas être nettoyés. Effectuez une inspection visuelle régulière de chaque filtre pour contrôler l'accumulation des débris et détecter les dommages sur les surfaces d'étanchéité. Si l'un des filtres semble colmaté, abîmé ou s'il est décoloré (il doit être blanc) en raison d'une accumulation excessive de poussière, remplacez les deux filtres par des filtres neufs en n'oubliant pas d'installer aussi un préfiltre neuf.
- Si vous détectez des émissions de particules de poussière dans l'air d'évacuation de l'aspirateur, arrêtez immédiatement l'appareil. Ceci indique une rupture ou un dysfonctionnement des filtres HEPA qui doivent alors être remplacés.

## INSTRUCTIONS D'UTILISATION ET D'ENTRETIEN EN CAS DE RECUEIL DE SUBSTANCES DANGEREUSES

### Méthodes de remplacement des filtres

· Tous les sacs et filtres usagés et tous les débris doivent être considérés comme des substances dangereuses et mis au rebut conformément à toutes les réglementations fédérales, nationales et locales.

#### · Préfiltre

les lockings instantanés et les tirent à l'extérieur. Soulevez et le couvercle vers le haut du récipient. Pré le filtre est situé au stand de moteur au milieu du décapant. Nettoyez les surfaces d'étanchéité avant de réinstaller le nouveau pré-filtre.

#### · Filtres HEPA

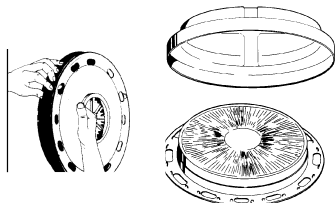
le filtre de HEPA est placé à l'intérieur du couvercle. Saisissez les lockings instantanés et tirez-les à l'extérieur. Soulevez et le couvercle vers le haut du récipient.

**Le filtre de HEPA a pré monté dans le nouveau couvercle** là est un complet après kit d'unité de filtrage de la vente HEPA pour le GD 930 et GD 930 S2 disponible (numéro de la pièce 140 7801 510). Ce kit contient le couvercle et le HEPA-filtre pré montés dans le couvercle. C'est une manière confortable de remplacer le filtre de HEPA.

**Ajouter le filtre de HEPA a pré monté dans le couvercle :** En prenant soin de ne pas déloger n'importe quels débris, nettoyez les surfaces d'étanchéité avant de réinstaller le nouvel ensemble filtre de lid/HEPA. Enlevez le vieux couvercle du récipient et le remplacez avec le nouvel ensemble filtre de lid/HEPA. Fixez le nouveau couvercle à la machine avec les serrures instantanées."

#### Le filtre de HEPA pas pré monté

Installez le filtre de HEPA sur le décapant avec les revêtements d'étiquette de "HEPA" à l'extérieur. Assurez-vous que le support de filtre est solidement attaché à chacun des 4 points autour du couvercle. Remplacez le couvercle sur le récipient et fixez le couvercle à l'aide des serrures instantanées.



### Avertissement!

La poussière dangereuse peut être déchargée par la machine si le filtre n'est pas correctement fixé.

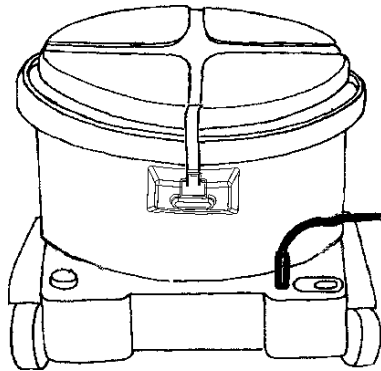
### Instructions d'entretien

· Si cet aspirateur a été utilisé pour recueillir des substances dangereuses dans un environnement contaminé fermé, ses composants internes risquent d'être également contaminés.

· Une décontamination externe de l'aspirateur doit être effectuée. Cependant, la décontamination externe ne peut pas éliminer une contamination interne. Toute opération d'entretien comportant un démontage doit être effectuée à l'intérieur d'un environnement contaminé par des techniciens possédant la formation requise et portant des vêtements de protection personnelle appropriés et une protection respiratoire

· Tous les composants remplacés et tous débris recueillis durant l'entretien doivent être traités comme des substances dangereuses et mis au rebut conformément à toutes les réglementations fédérales, nationales et locales.

· Tous les joints doivent être remplacés chaque fois que l'unité est démontée afin de garantir l'efficacité optimale de la machine.



[www.pa.nilfisk-advance.com](http://www.pa.nilfisk-advance.com)