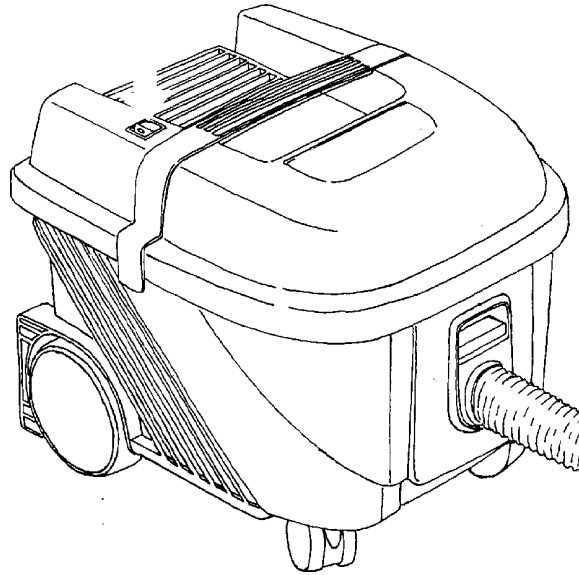


UZ 934 DRY VACUUM CLEANER

B

0.6.3

1



DESCRIPTION

PLAN

Cover & Container

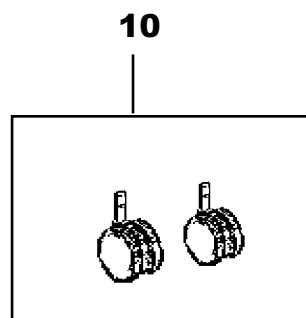
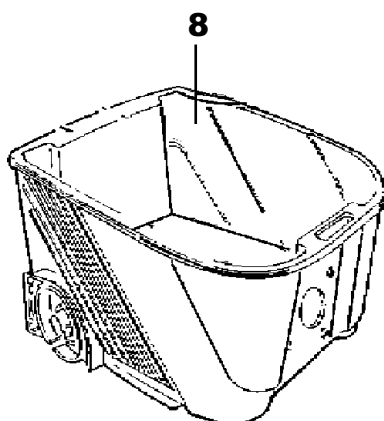
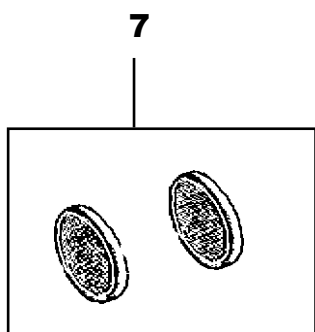
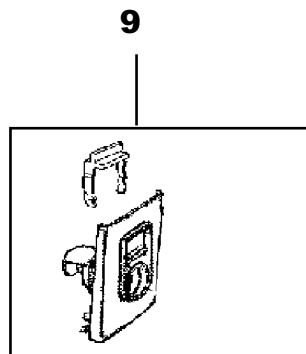
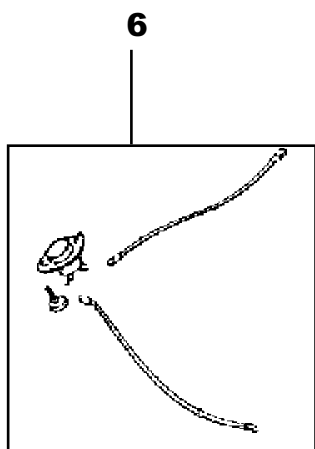
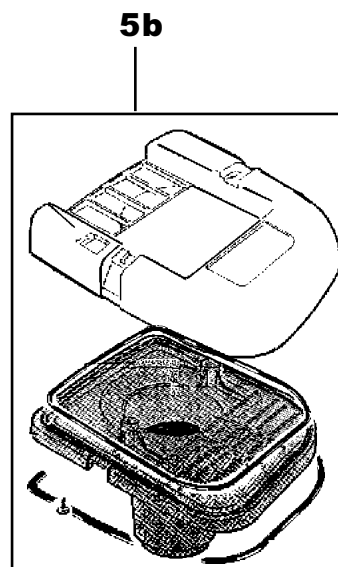
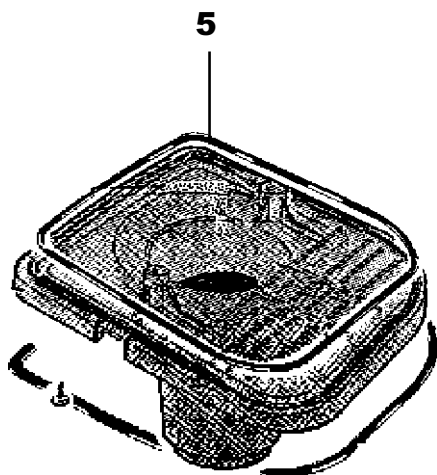
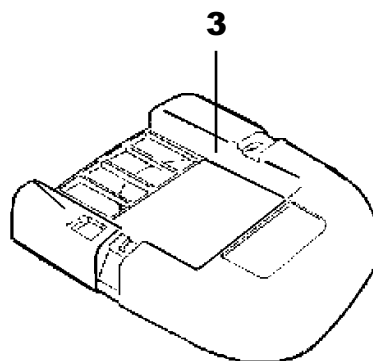
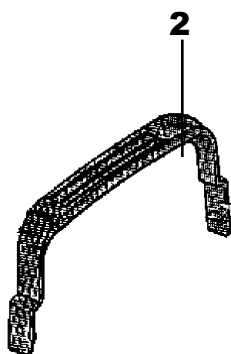
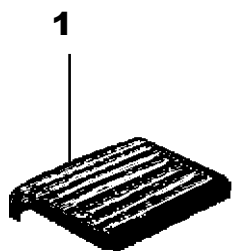
B - 0.6.3 - 3

Filter, fan units & cord set

B - 0.6.3 - 5

Nozzles, tubes, hose

B - 0.6.3 - 7



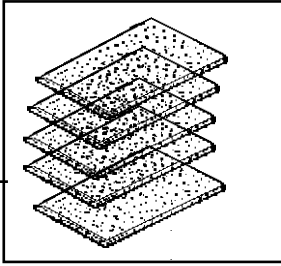
04-04	SPARE PART KIT SET UZ 934	BOOK B		
05-05	COVER & CONTAINER PARTS	B	0.6.3	3

<u>Item.No.</u>	<u>Part No</u>	<u>Qty.</u>	<u>Description</u>	<u>Note</u>	<u>EAN code</u>
1	140 6873 500	1	Grating		7319519631937
2	140 6872 500	1	Handle		7319519631920
3	140 6871 500	1	Cover upper, grey		7319519631906
4	>> 140 5496 510	1	Switch	UL-approved	7319519631739
5	140 6870 500	1	Cover lower, kit	with gaskets	7319519631890
5b	>> 140 6870 510	1	Cover kit, UL	UL-approved with gaskets and cover upper blue.	7319519632361
6	140 3894 500	1	Thermo protector kit	With screw and wires	7319519631715
7	140 8458 500	2	Wheels, kit	2 Wheels	7319519632002
8	140 6408 500	1	Container, blue		7319519631746
8	140 6408 510	1	Container, grey		7319519631753
9	140 7205 500	1	Trigger kit	with connector	7319519631982
10	140 6422 500	2	Link wheels kit	2 wheels	7319519631760

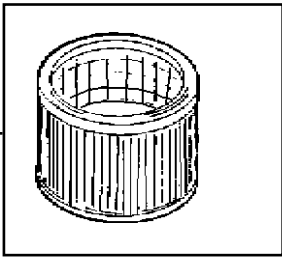
>> Means: New or changed ref. number or/and changed/new specifications

NOTE: Part number 140 6871 520 cover upper UL blue, is cancelled.
The cover upper UL blue part, is instead included in item 5b part number 140 6870 510 Cover kit UL.
This kit is valid for UL-approved machines.

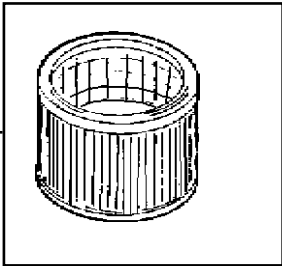
1



2



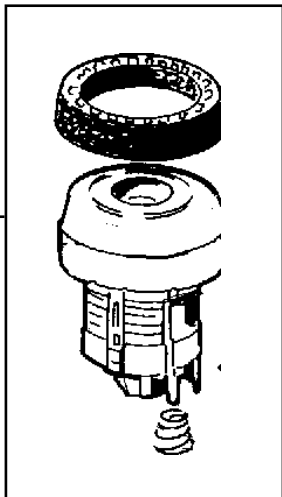
3



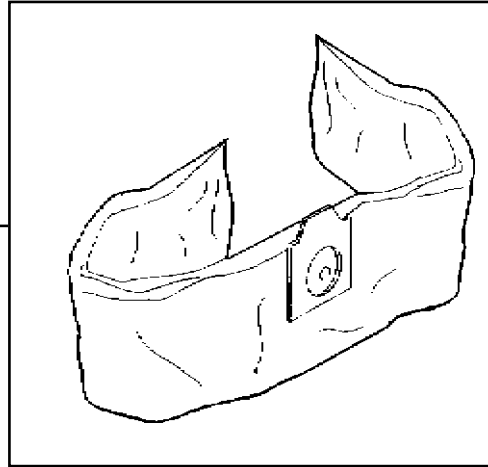
9



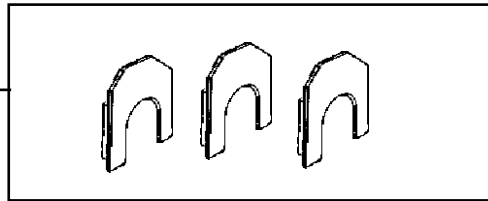
6



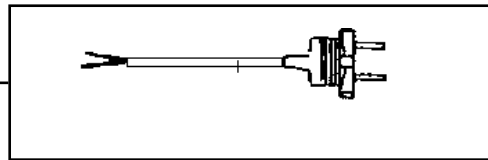
4



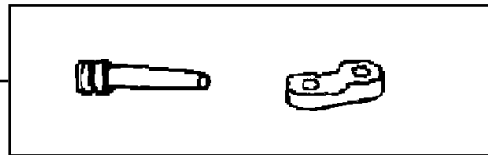
5



7



8



04-02	SPARE PART KIT SET UZ 934	BOOK B		
05-08	FILTER, FAN UNIT & CORD	B	0.6.3	5

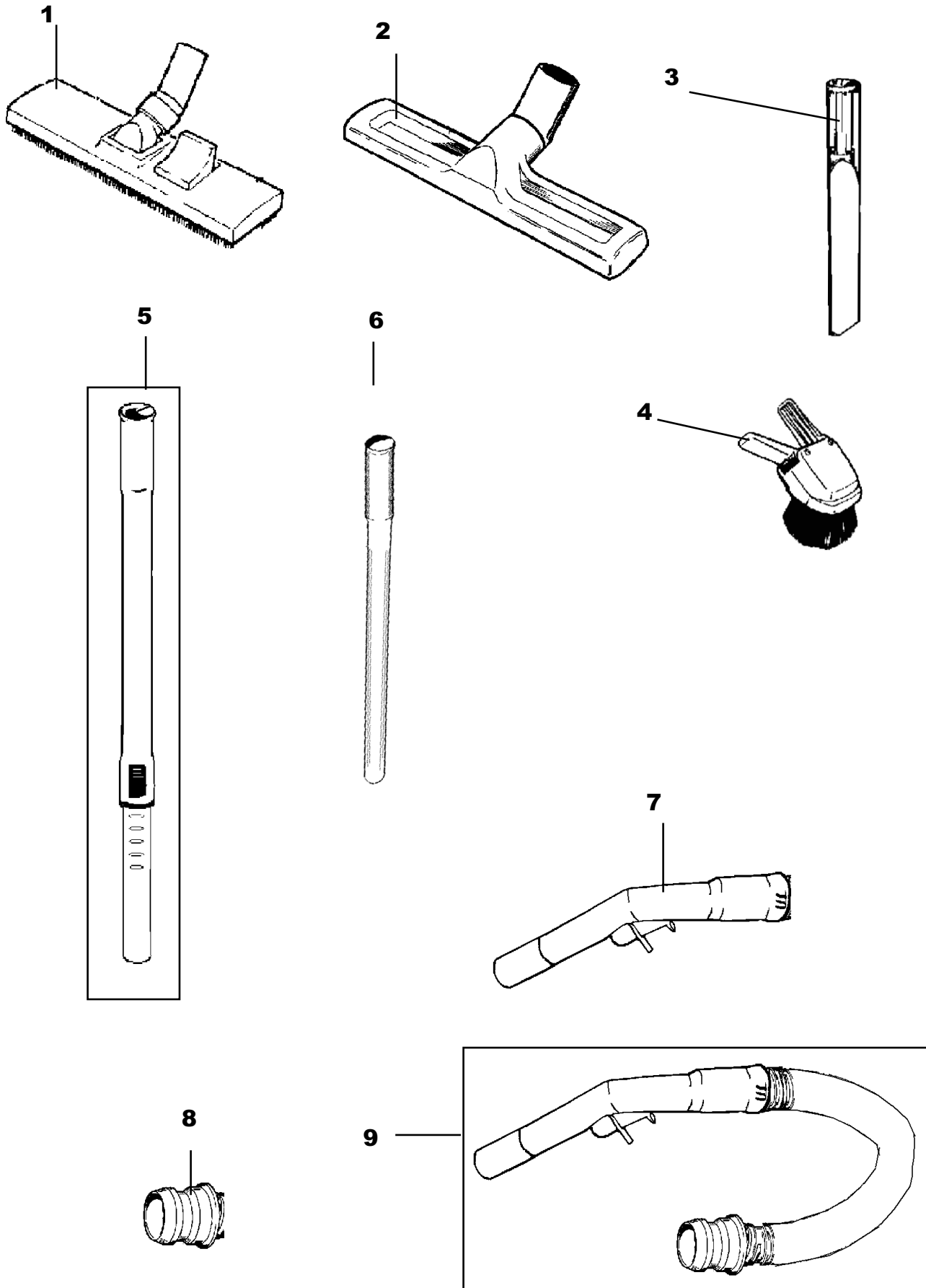
Item.No.	Part No	Qty.	Description	Note	EAN code
1	140 6879 500	5	Exhaust filter, kit	5 pcs.	7319519631944
2	140 6880 500	1	Main filter		7319519631951
3	140 7542 010	1	HEPA-filter		7319519482904
4	140 6905 020	10	Dust Bag 10-p		7319519403367
5	140 6744 500	3	Lock washer, kit	3 pcs.	7319519631883
6	140 7902 500	1	Fan unit 230V	Suspension & springs	7319519605785
6	140 7902 510	1	Fan unit 110-120V	"	7319519605792
6	140 7902 520	1	Fan unit 240V	"	7319519605808
6	140 7902 530	1	Fan unit 100V	"	7319519605815
6	140 7902 540	1	Fan unit 127V	"	7319519605822
7	140 6423 500	1	Cord 15 m EU-plug	Double insulated	7319519631777
7	140 6423 510	1	Cord 10 m EU-plug	"	7319519631784
7	140 6423 520	1	Cord 15 m CH-plug	"	7319519631791
7	140 6423 530	1	Cord 15 m UK-plug	"	7319519631807
7	140 6423 540	1	Cord 10 m UK-plug	"	7319519631814
7	140 6423 550	1	Cord 15m US-plug	Double insulated	7319519631821
7	140 6423 560	1	Cord 10m US-plug	Grounded	7319519631838
7	140 6423 570	1	Cord 15 m JP-plug	Double insulated	7319519631845
7	140 6423 580	1	Cord 14 m AU-plug	"	7319519631852
8	140 7035 500	1	Sleeve & anti strain clip, kit		7319519631968
8	140 7035 510	1	Sleeve & anti strain clip US, kit		7319519631975
9	>> 140 6667 040	1	Pre filter	Protects HEPA-filter	7319519482119

>> Means: New or changed ref. number or/and changed/new specifications

B 0.6.3

6

NOZZLE, HOSE & TUBE Ø 32 mm



03-11	SPARE PART KIT SET UZ 934	BOOK B		
	NOZZLES, HOSE & TUBE Ø 32 mm	B	0.6.3	7

<u>Item.No.</u>	<u>Part No</u>	<u>Qty.</u>	<u>Description</u>	<u>Note</u>	<u>EAN code</u>
1	11980300	1	Combination nozzle	Grey	
2	140 6701 500	1	Multi surface nozzle	Black	7319519631876
3	010 3098 500	1	Crevice nozzle	Black	7319519629156
4	011 3104 500	1	Small combi nozzle	Black	7319519629163
5	011 6431 500	1	Extension tube aluminium	L=500 mm	7319519631685
6	011 8130 500	1	Telescopic extension tube,	Aluminium min 630 mm max. 950 mm	7319519631692
7	140 7584 500	1	Hose handle	w.suction control	7319519631999
8	140 3304 500	1	Inlet sleeve		7319519631708
9	140 6430 500	1	Hose complete	Hose & handle	7319519631869