

GD 1000 Family/Business

Model:

Fam/Bus Key Acc.

Nilfisk CDB 3000

Nilfisk CDB 3020

Nilfisk CDB 3025

Nilfisk CDB 3040

Nilfisk CDB 3050

Nilfisk CDB 3055

Nilfisk CDB 3060

Nilfisk CDF 2000

Nilfisk CDF 2010

Nilfisk CDF 2040

Nilfisk CDF 2050



Part List US-English

05-11-2010

Nilfisk

www.nilfisk.com

Table of Contents

GD 1000 Family/Business

Motor and cord types	3
Upper parts	5
Electric operating switch units	7
Filter and HEPA filter	9
Bottom parts	11
Nozzles, tubes, hoses, and dust bags	13
Nozzles special consumer	15
RECOMMENDED SPARE PARTS	17

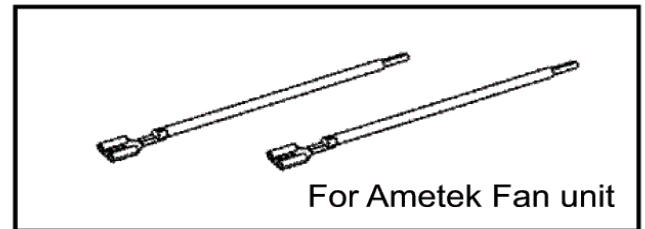
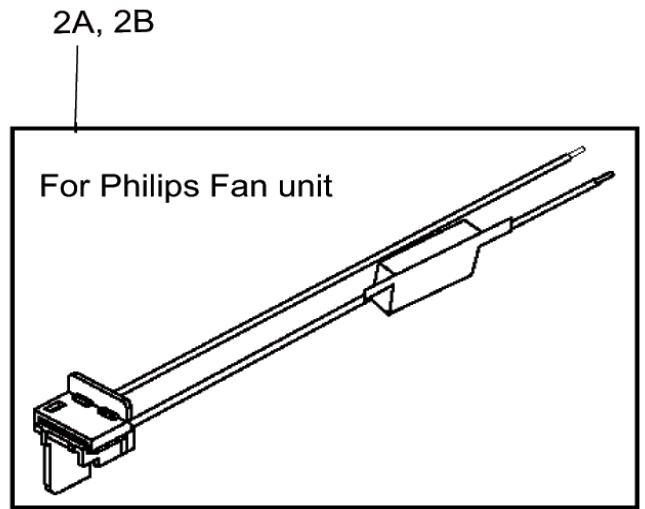
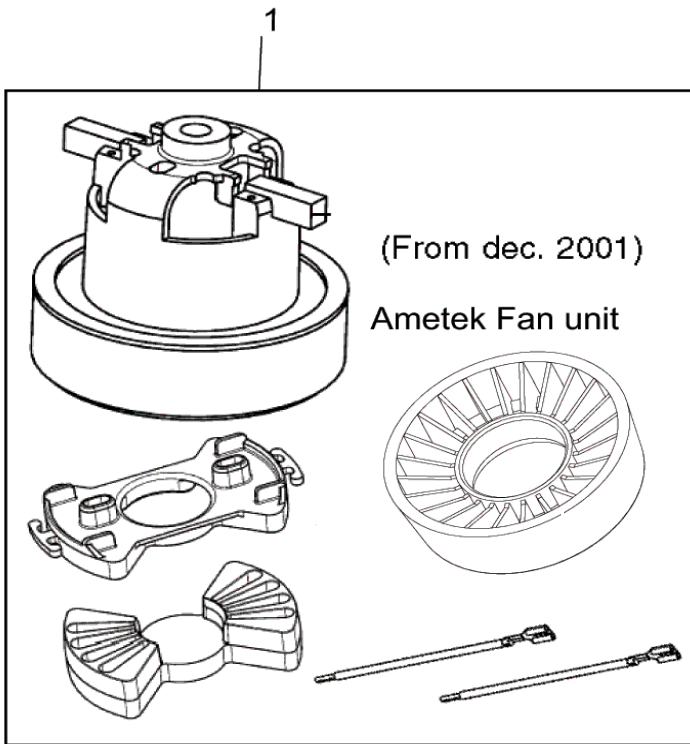
Motor and cord types

GD 1000 Family/Business

05-11-2010

Part List ID A1333

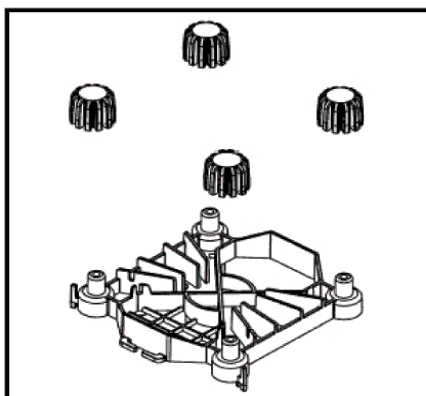
3



2C

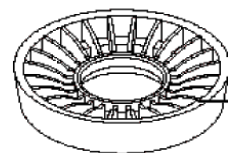
	Voltage	Plug type	
Europa	250		
UK	250		
AUS/NZ	250		
CH	-		

3



For Philips Fan unit

10



11

Motor and cord types

GD 1000 Family/Business

05-11-2010

Part List ID A1333

4

Pos	Part no.	Qty	Description	EAN
3	12222501	1	CORD SET EU L 10M	5715492008
3	12222503	1	CORD SET UK L 10M	5715492008
3	12222506	1	CORD SET AU/NZ L 10M	5715492008
3	12222507	1	CORD SET CH L 10M	5715492008
10	22231100	1	MOTOR KIT FOR PHILIPS only for Philips motor	5715492007
11	22399800	1	GASKET FOR INLET	5715492014
1A	22352200	1	MOTOR 230V KIT KING/GD 1000	7319519623
2A	12117900	1	INT. WIRE KIT	5715492003
2B	12118000	1	INT. WIRE KIT	5715492003
2C	22388400	1	INT. WIRE KIT FOR AMETEK FAN	5715492017
10A	22352200	1	MOTOR 230V KIT KING/GD 1000 for old motor type outph. 2001	7319519623

NOTE:

Fan unit kit 12125005 is depleted from GD 1000 Family/Business.

The motor fan unit kit of 22352200 is altered. The gasket and motor fixation is now included in this kit.

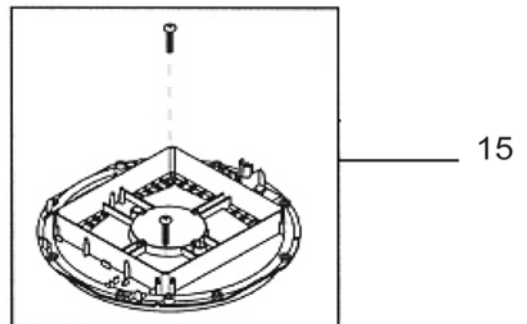
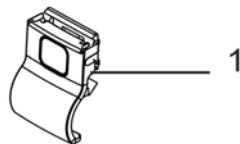
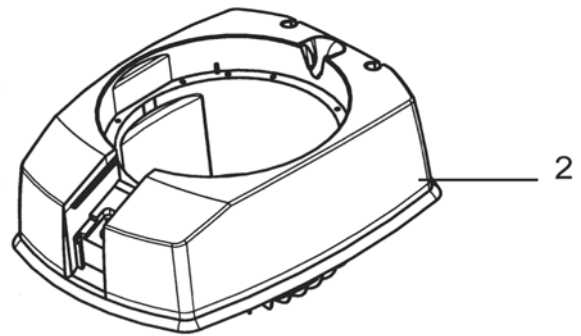
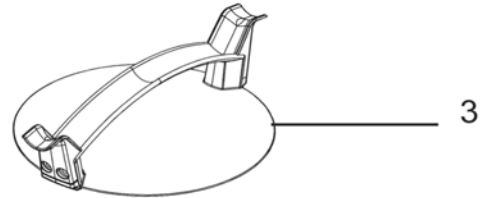
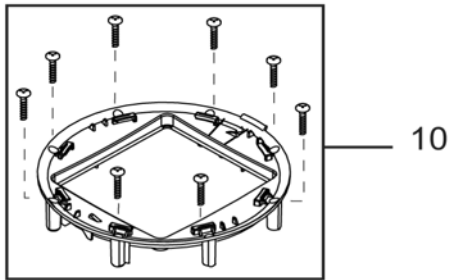
Upper parts

GD 1000 Family/Business

05-11-2010

Part List ID
A1334

5



Upper parts

GD 1000 Family/Business

05-11-2010

Part List ID
A1334

6

Pos	Part no.	Qty	Description	EAN
1	12004301	1	LOCKING DEVICE CPL. DARK GREY	5715492007
2	12010700	1	UPPER PART GD 1000 LIGHT GREY	5715492023
2	12010701	1	UPPER PART GD 1000 RED	5715492007
2	12010702	1	UPPER P.GD1000 CHAMPAGNE METAL	5715492007
2	12010703	1	UPPER PART GD 1000 GREEN	5715492007
3	12001201	1	HANDLE COVER W. CORD HOLDER	5715492007
10	22231001	1	TOP COVER DARK GREY	7319519619
15	22231001	1	TOP COVER DARK GREY	7319519619
15	22299601	1	MOTOR COVER	5715492017

Electric operating switch units

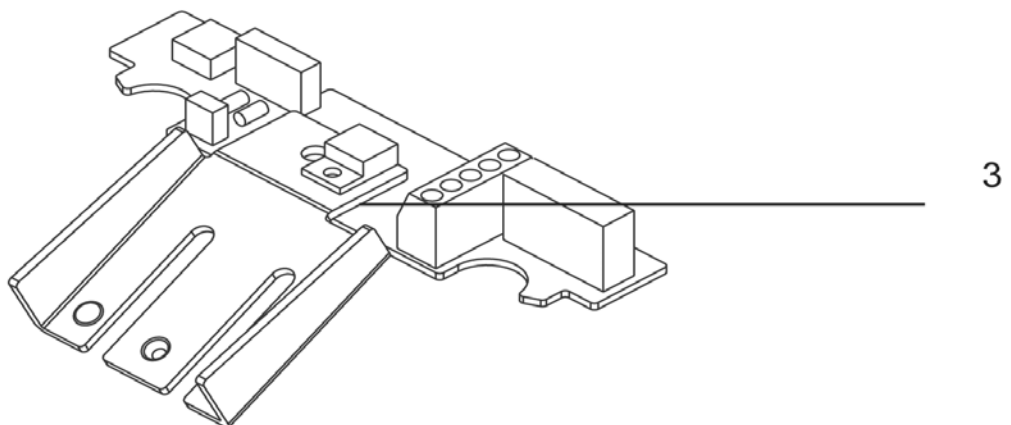
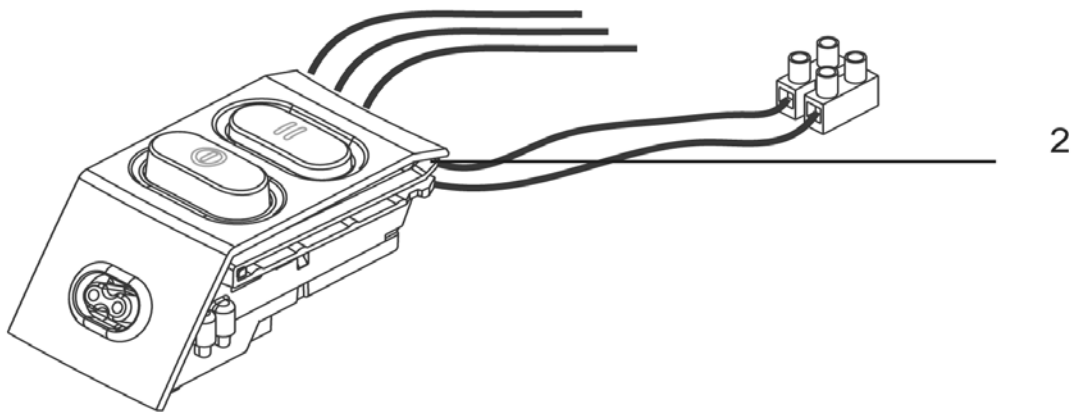
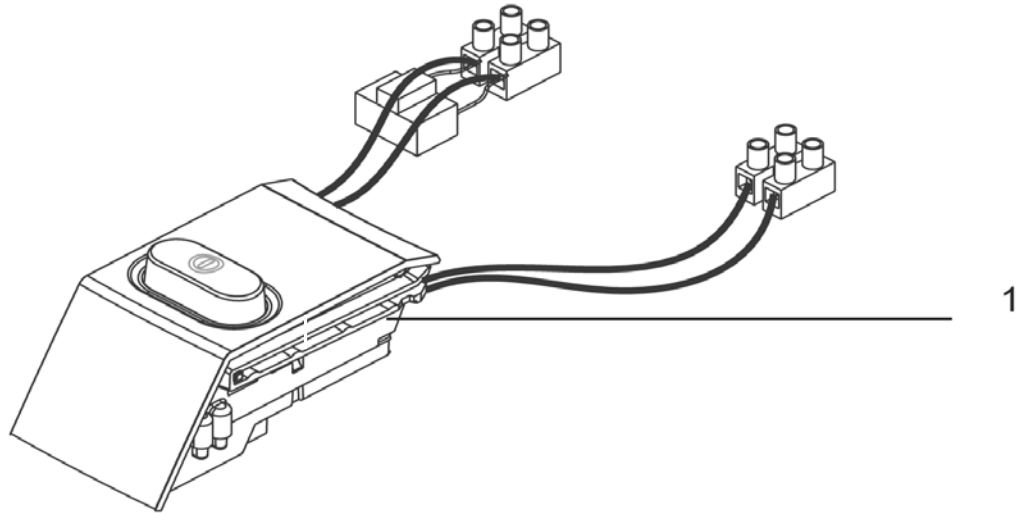
GD 1000 Family/Business

05-11-2010

Part List ID

A1336

7



Electric operating switch units

GD 1000 Family/Business

05-11-2010

Part List ID

A1336

8

Pos	Part no.	Qty	Description	EAN
1	12019611	1	ELECTRICAL UNIT RED	5715492009
1	12019612	1	EL UNIT GREEN	5715492009
1	12019614	1	EL UNIT SILVER METALLIC	7319519658
2	12019810	1	EL UNIT HDS 1005	5715492008
2	12019812	1	ELECTRICAL UNIT BLUE	5715492009
2	12019813	1	ELECTRICAL UNIT WHITE	5715492014
2	12019814	1	ELECTRICAL UNIT YELLOW	5715492014
3	12010921	1	WIRING BOARD 2SPEED AMETEK FAN	5715492017

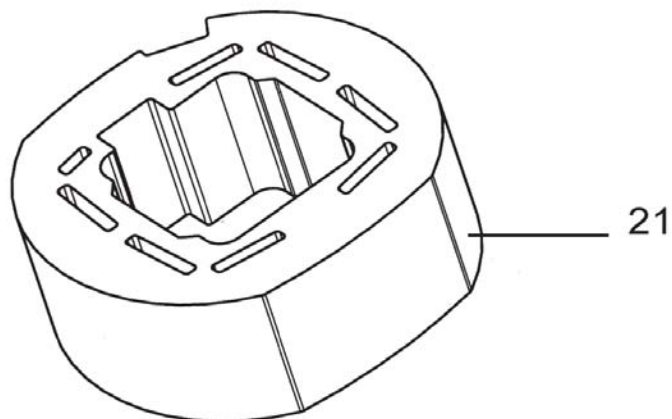
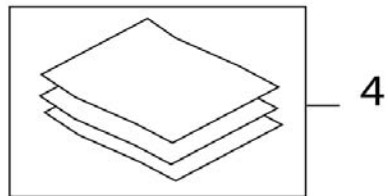
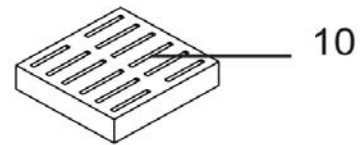
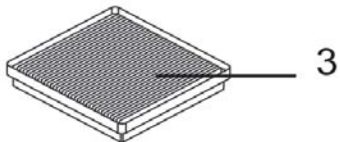
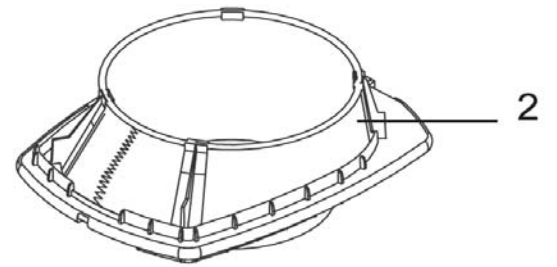
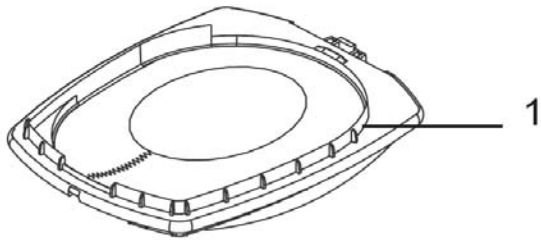
Filter and HEPA filter

GD 1000 Family/Business

05-11-2010

Part List ID
A1338

9



Filter and HEPA filter

GD 1000 Family/Business

05-11-2010

Part List ID A1338

10

Pos	Part no.	Qty	Description	EAN
1	12014102	1	FILTER UNIT BLACK 1200 CM2	5715492013
2	12014301	1	FILTER UNIT BLUE 2300 CM2	5715492013
3	12015500	1	HEPA FILTER HDS 1005	5715492003
4	82234600	1	MICRO FILTER 3 PCS	5715492007
10	22230900	1	SOUND SUPPRESSOR UPPER	5715492007
21	22299302	1	SUPPRESSOR LOWER AMETEK/PHILIP	5715492017

See note:

NOTE Part number 22299301 sound suppressor for Philips fan unit is depleted. This suppressor is replaced by 22299302 sound suppressor for Philips and Ametek fan.

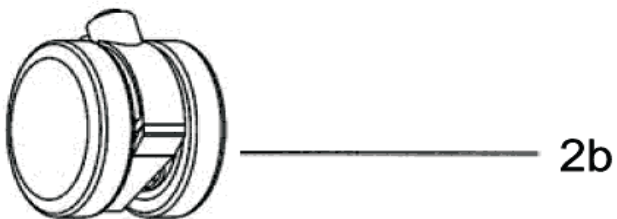
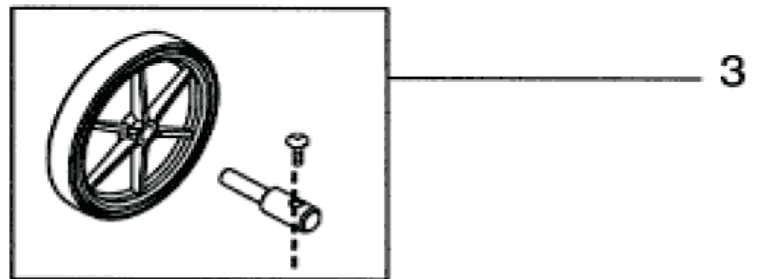
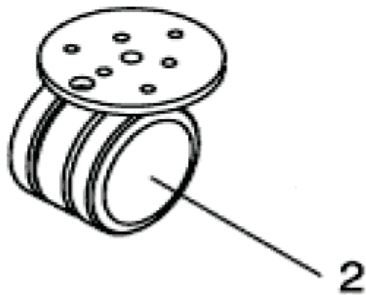
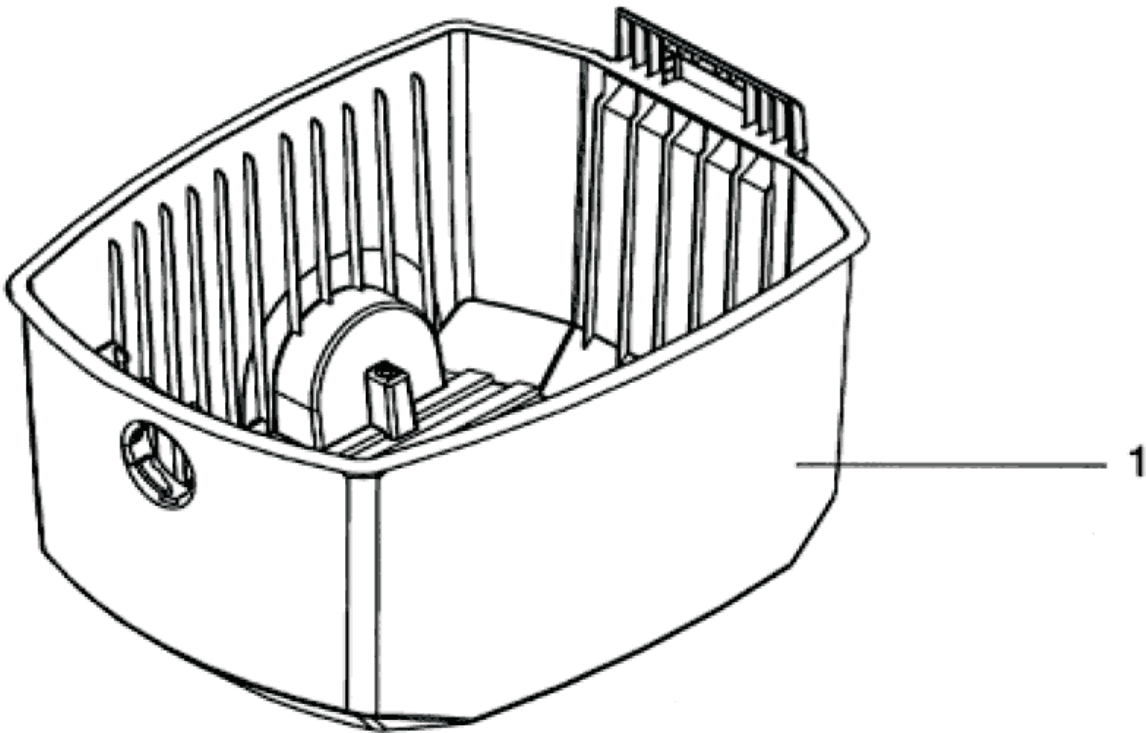
Bottom parts

GD 1000 Family/Business

05-11-2010

Part List ID A13310

11



Bottom parts

GD 1000 Family/Business

05-11-2010

Part List ID A13310

12

Pos	Part no.	Qty	Description	EAN
1	12000502	1	CONTAINER 5L DUST BAG LOCK	5715492024
1	12000602	1	CONTAINER 10L DUST BAG LOCK	5715492024
2	147 1040 500	1	FRONT WHEEL KIT POWER/EXTREME. includes 3 screws	7319519656
2		1	FRONT WHEEL KIT POWER/EXTREME.	7319519656
3	12009300	1	FIXED WHEELS FOR GD 1000/GS 90	5715492003
02B	147 1040 510	1	FRONT WHEEL KIT WITHOUT AXLE	7319519660

Note:

Link w heel 12118100 is to be replaced by part number 147 1040 500

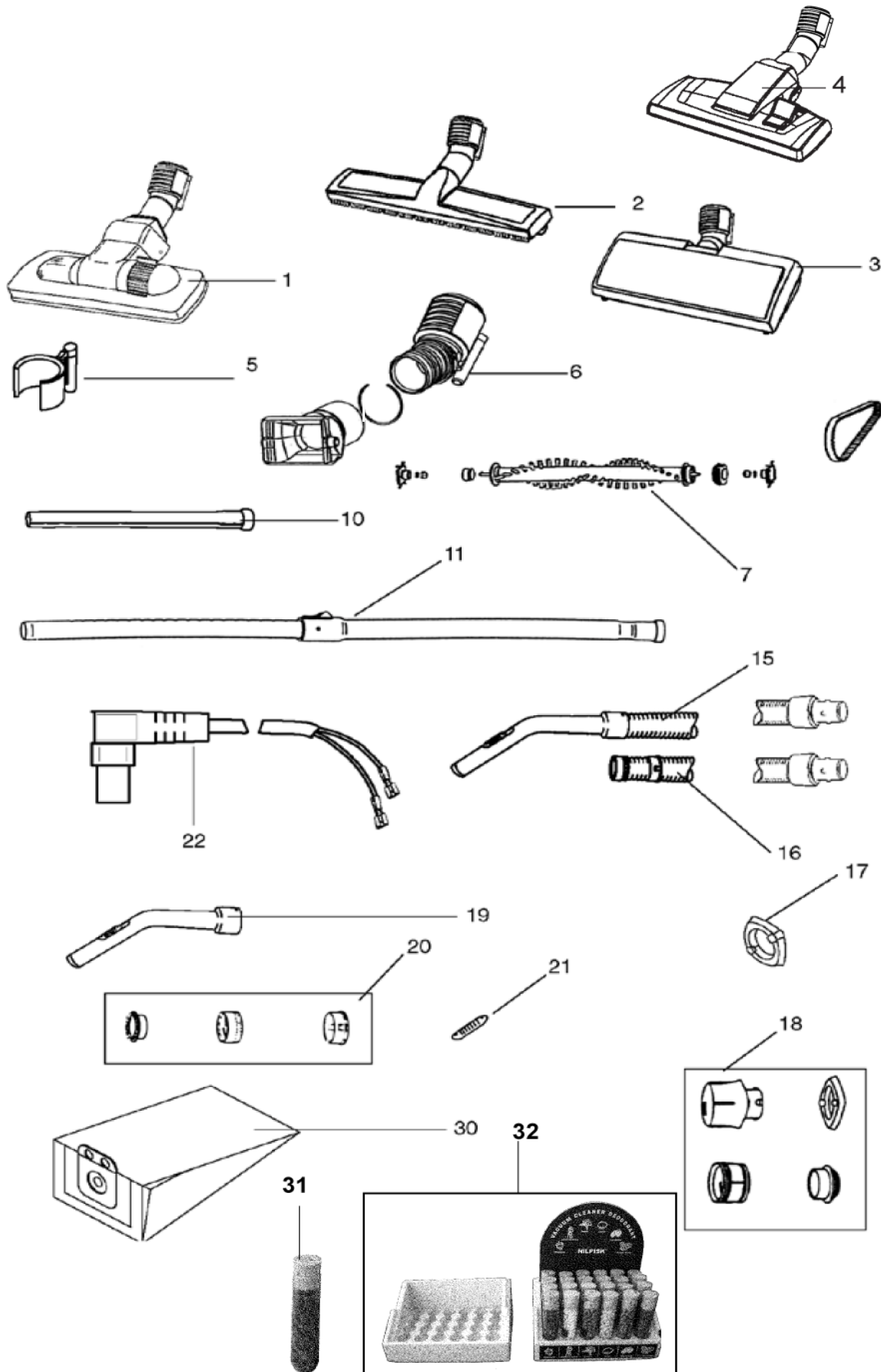
Nozzles, tubes, hoses, and dust bags

GD 1000 Family/Business

05-11-2010

Part List ID A13312

13



Nozzles, tubes, hoses, and dust bags

GD 1000 Family/Business

05-11-2010

Part List ID
A13312

14

Pos	Part no.	Qty	Description	EAN
1		1	COMBI NOZZLE 32 MM	5715492003
2	12017002	1	HARD FLOOR-NOZZLE	5715492007
3	12010100	1	ELEC. NOZZLE	5715492003
4	140 8492 510	1	ROLLER COMBI NOZZLE KIT	7319519629
5	12018201	1	PARKING CLIP	5715492003
6	22367500	1	KOBLING FOR R Ø R GD1000	
7	22365000	1	BRUSH AND DRIVE BELT KITSET	
10	11112401	1	EXTENSION TUBE CPL.	5715492003
11	81906500	1	TUBE TElesc.LENGTH MAX 1130 MM	5715492011
15	12018001	1	HOSE 38/32 W. CURVED TUBE GD	5715492003
16	22042401	1	HOSE 38/32 WITH GD-COUPLING	5715492003
17	11542001	1	GASKET GS/GD COUPLING	5715492003
18	22366100	1	HOSE COUPLING 38MM GD	5715492011
19	21640503	1	BENDED TUBE WITH SHUTTER GREY	5715492003
20	22350900	1	RINGS F.TAPERED OR CONIC	5715492010
21	22351000	1	SHUTTER FOR TUBE 5PCS PER BAG	5715492010
22	22201500	1	CABLE FOR ELECTRO NOZZ.	5715492006
30	82222800	1	BAG 5L WITH CLOSURE 5 PCS	5715492007
30	82222900	1	BAG 10 L WITH CLOSURE 5 PCS.	5715492007
31	22340000	1	ODEUR TABLETS	7319519645
32	22340024	24	NILFISK DEODORANT (24 PCS)	5715492040

Nozzles special consumer

GD 1000 Family/Business

05-11-2010	
Part List ID	A13314
15	

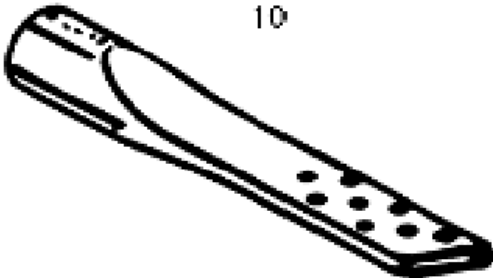
1



2



10



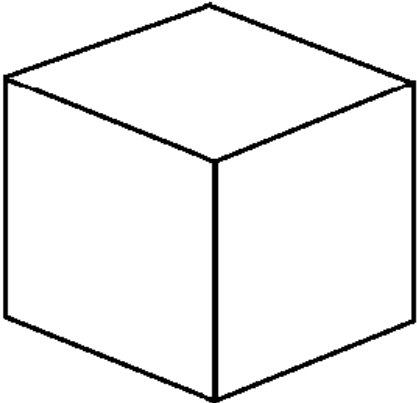
11



12



13



Nozzles special consumer

GD 1000 Family/Business

05-11-2010

Part List ID A13314

16

Pos	Part no.	Qty	Description	EAN
1	32043700	1	UPHOLSTERY NOZZLE	5715492002
2	11276901	1	BRUSH ROUND GREY 100 NATU	5715492005
2	22103600	1	ROUND BRUSH BLUE BRISTLES	5715492002
2	22302500	1	ROUND BRUSH	5715492009
10	81530400	1	CREVICE NOZZLE WIDTH 245 MM	7319519604
11	11530500	1	RADIA TORBØRSTE	
12	81140900	1	CREVICE NOZZLE KIT	7319519658
13	22224600	1	CARDBOARD BOX GD1000	5715492014
13	22224601	1	CARDBOARD BOX FAMILY	5715492014
13	22224602	1	CARDBOARD BOX BUSINESS	5715492014

RECOMMENDED SPARE PARTS

GD 1000 Family/Business

05-11-2010

Part List ID A13316

17

No Drawing For Part List

RECOMMENDED SPARE PARTS

GD 1000 Family/Business

05-11-2010

Part List ID
A13316

18

Pos	Part no.	Qty	Description	EAN
1	11542001	1	GASKET GS/GD COUPLING	5715492003
1	12004301	1	LOCKING DEVICE CPL. DARK GREY	5715492007
1	12009300	1	FIXED WHEELS FOR GD 1000/GS 90	5715492003
1	12014102	1	FILTER UNIT BLACK 1200 CM2	5715492013
1	12015500	1	HEPA FILTER HDS 1005	5715492003
1	12018201	1	PARKING CLIP	5715492003
1	12019611	1	ELECTRICAL UNIT RED	5715492009
1	12019612	1	EL UNIT GREEN	5715492009
1	12019614	1	EL UNIT SILVER METALLIC	7319519658
1	12019810	1	EL UNIT HDS 1005	5715492008
1	12019812	1	ELECTRICAL UNIT BLUE	5715492009
1	12019813	1	ELECTRICAL UNIT WHITE	5715492014
1	12019814	1	ELECTRICAL UNIT YELLOW	5715492014
1	12117900	1	INT. WIRE KIT	5715492003
1	12118000	1	INT. WIRE KIT	5715492003
1	12222501	1	CORD SET EU L 10M	5715492008
1	12222503	1	CORD SET UK L 10M	5715492008
1	12222506	1	CORD SET AU/NZ L 10M	5715492008
1	12222507	1	CORD SET CH L 10M	5715492008
1	147 0210 520	1	HOSE CONNECTOR KIT DARK GREY	7319519657
1	147 1040 500	1	FRONT WHEEL KIT POWER/EXTREME.	7319519656
			INCLUDES 3 SCREWS	
1	147 1040 510	1	FRONT WHEEL KIT WITHOUT AXLE	7319519660
1	22201500	1	CABLE FOR ELECTRO NOZZ.	5715492006
1	22230900	1	SOUND SUPPRESSOR UPPER	5715492007
1	22231100	1	MOTOR KIT FOR PHILIPS	5715492007
			ONLY FOR PHILIPS MOTOR	
1	22350900	1	RINGS F.TAPERED OR CONIC	5715492010
1	22352200	1	MOTOR 230V KIT KING/GD 1000	7319519623
1	22352200	1	MOTOR 230V KIT KING/GD 1000	7319519623
			FOR OLD MOTOR TYPE OUTPH. 2001	
1	22365000	1	BRUSH AND DRIVE BELT KITSET	
1	22388400	1	INT. WIRE KIT FOR AMETEK FAN	5715492017
1	82222800	1	BAG 5L WITH CLOSURE 5 PCS	5715492007
1	82222900	1	BAG 10 L WITH CLOSURE 5 PCS.	5715492007
1	82234600	1	MICRO FILTER 3 PCS	5715492007